








sømcasa

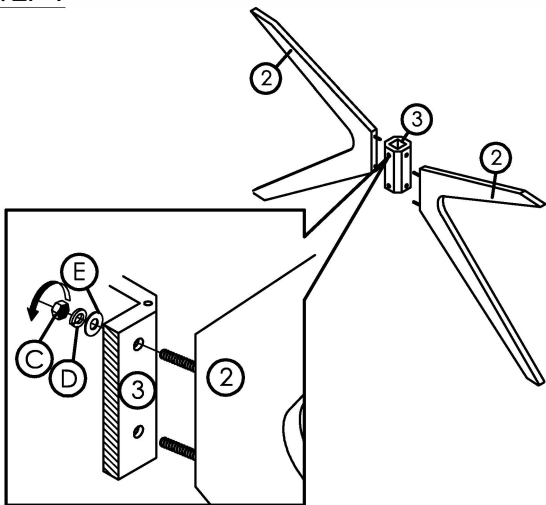
HARDWARE LIST

A	JCBC M6 x 70mm + S/W M6 + F/W M6 x 13mm		4PCS
B	ALLEN KEY M4		1PC
C	HEX NUT 5/16"		8PCS
D	SPRING WASHER 5/16"		8PCS
E	FLAT WASHER 5/16"		8PCS
F	SPANNER 12.8		1PC
G	FH SCREW #8 x 32mm		4PCS

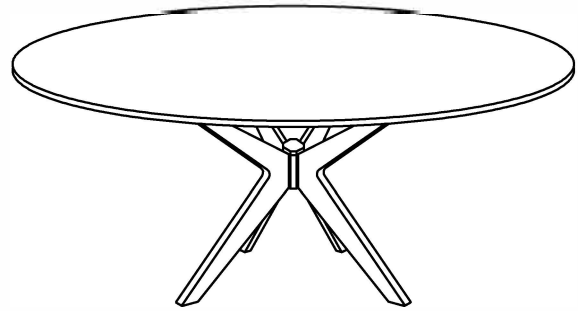
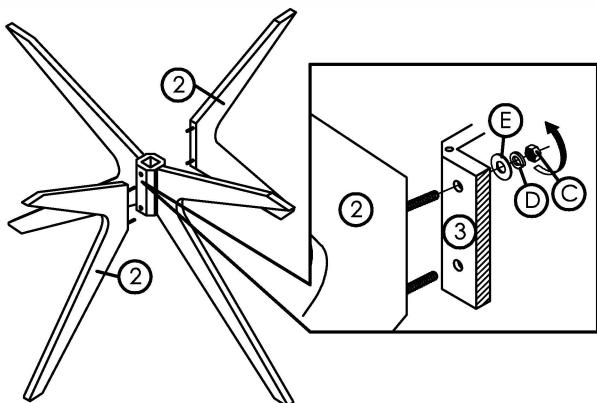
PART LIST

1	TABLE TOP	1PC
2	TABLE LEG	4PCS
3	CENTER SUPPORT BLOCK	1PC
4	CENTER BLOCK COVER	1PC

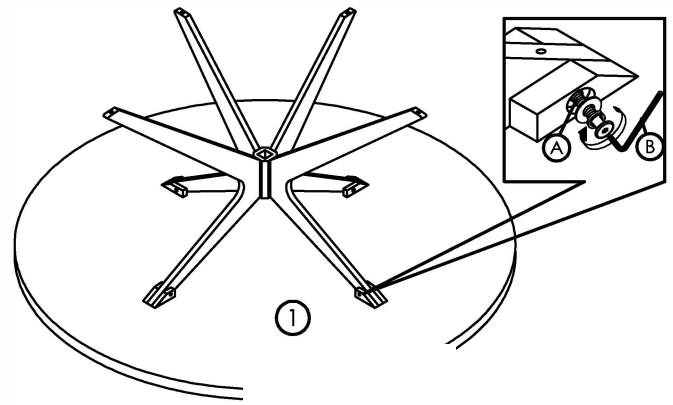
STEP 1



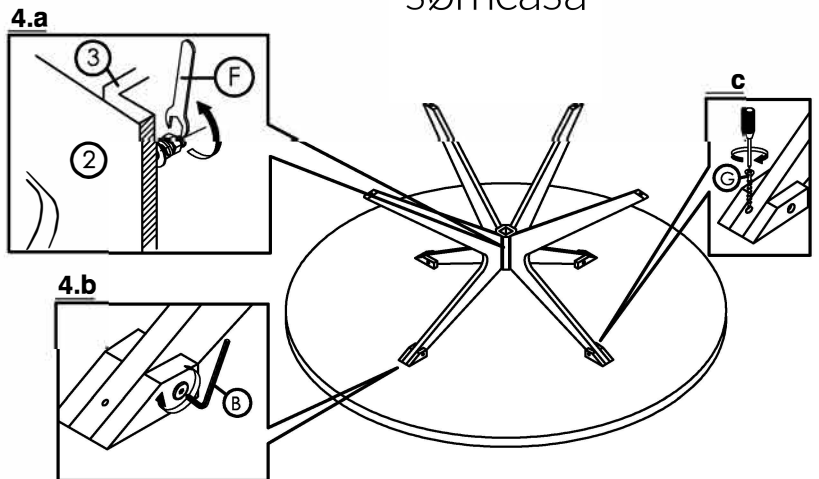
STEP 2



STEP 3



STEP 4



STEP 5

