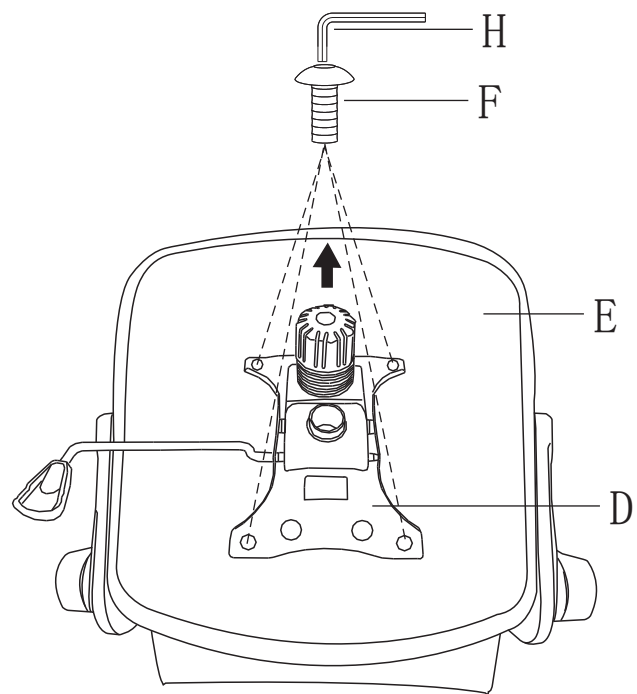
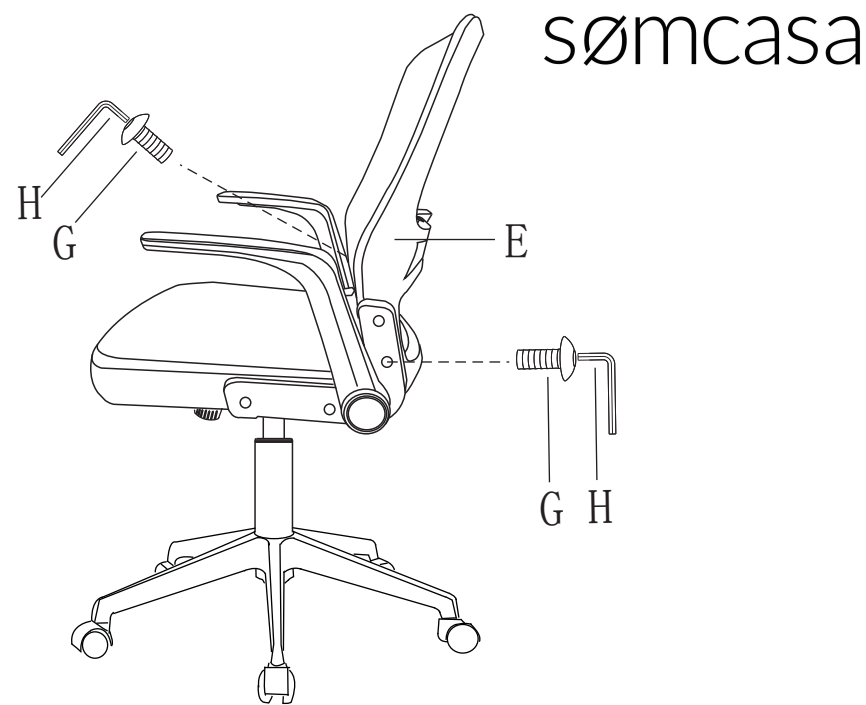


1

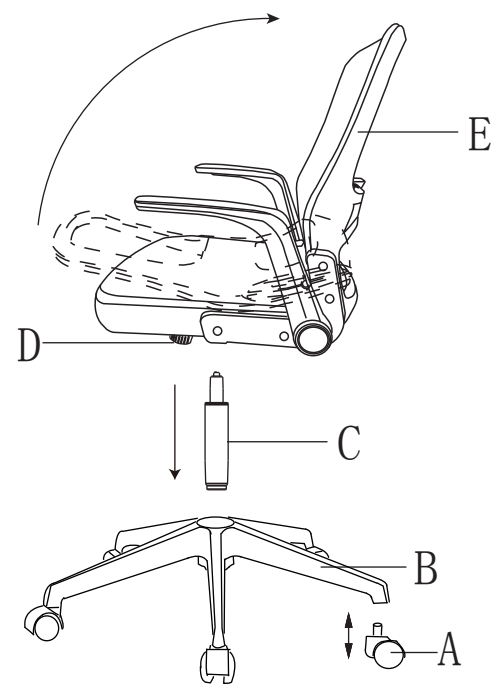


3



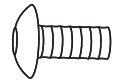
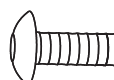
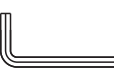
sømcasa

2



4



- F  **M6*20MM/4PCS**
- G  **M6*35MM/2PCS**
- H  **M5**