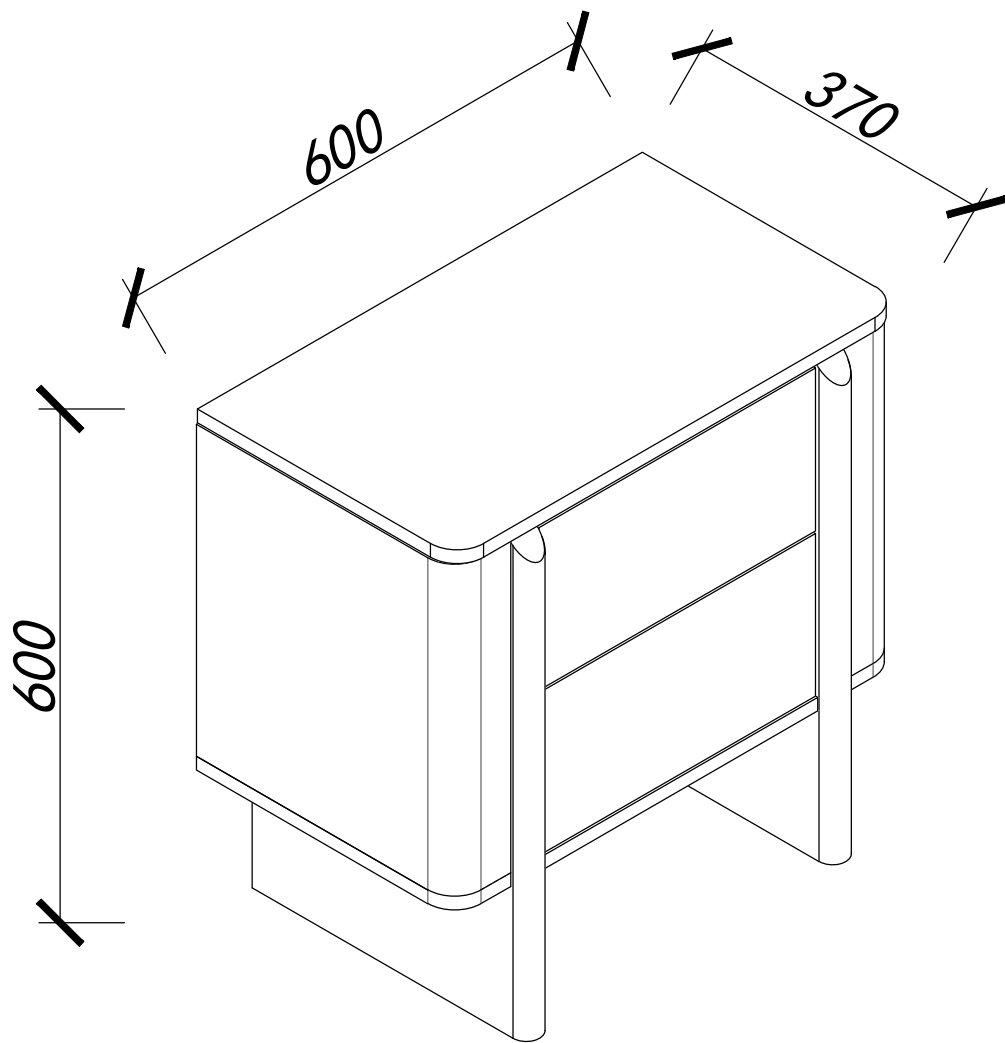
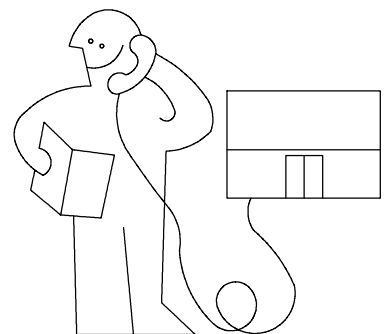
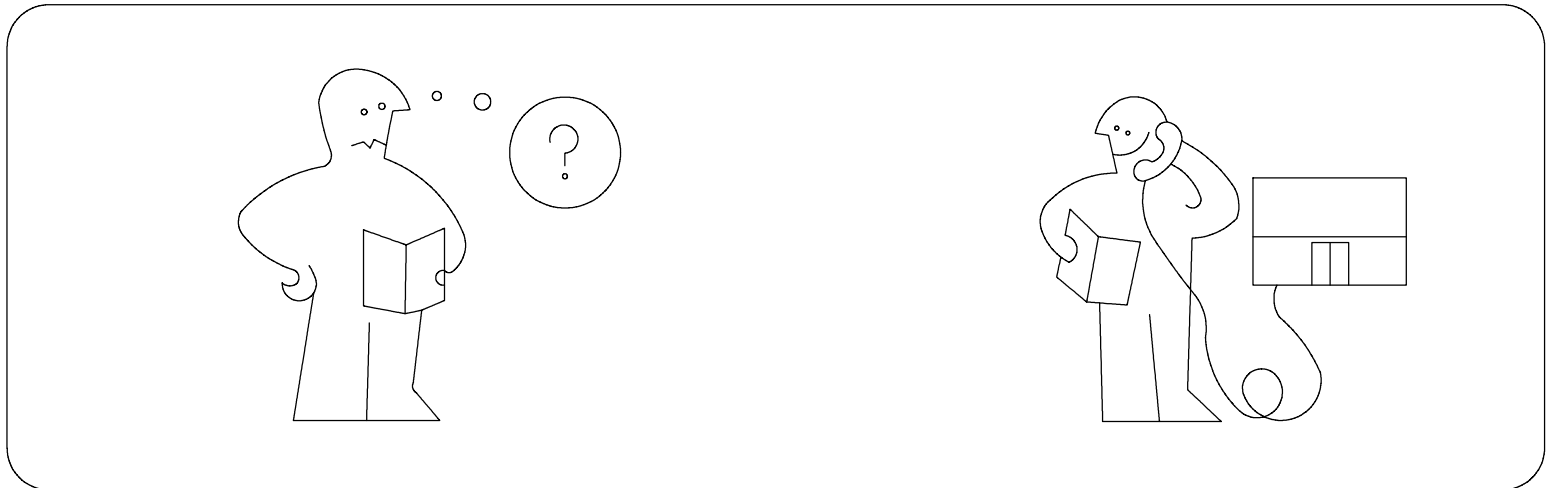
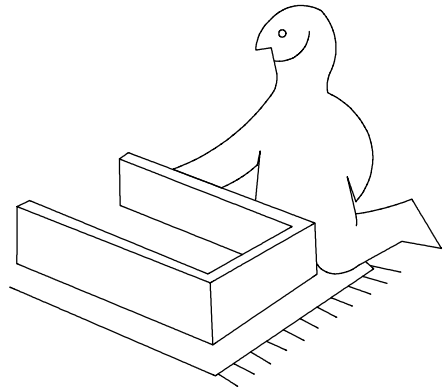
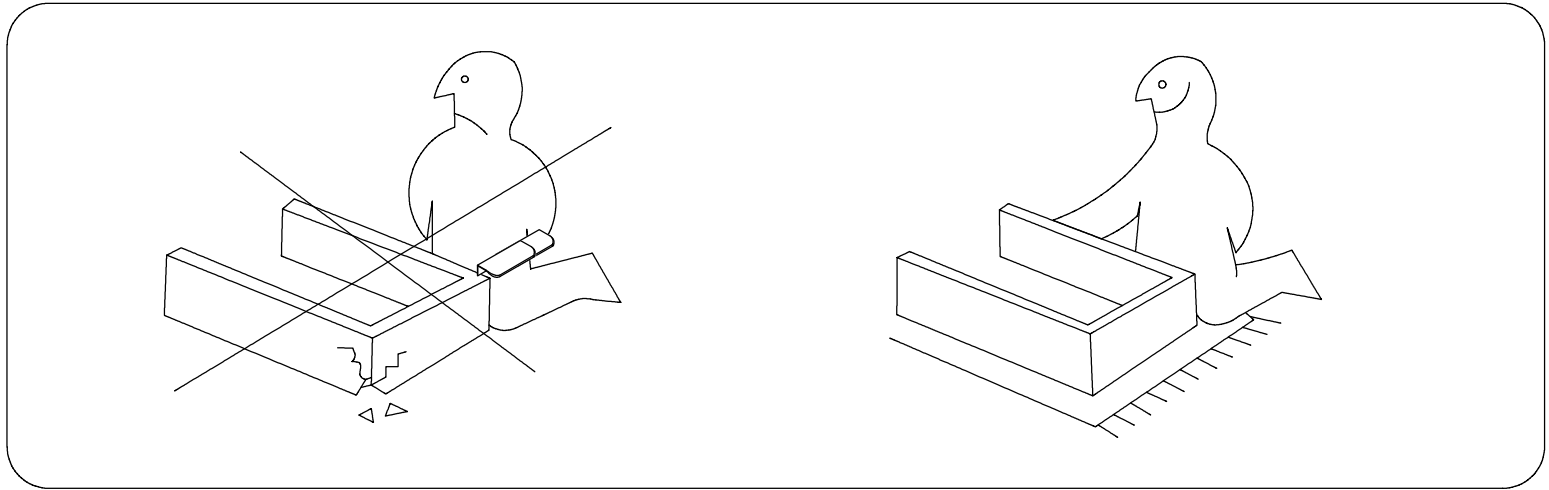
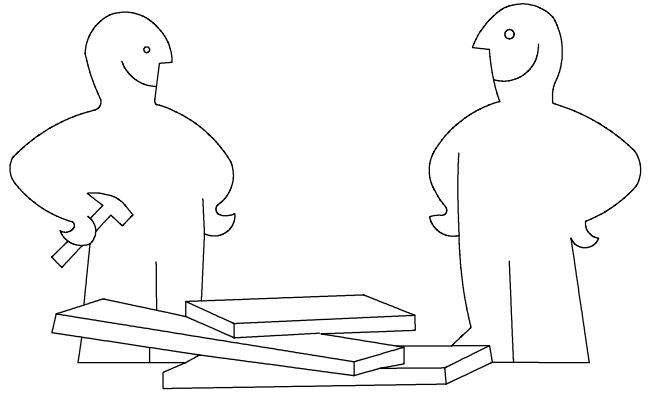
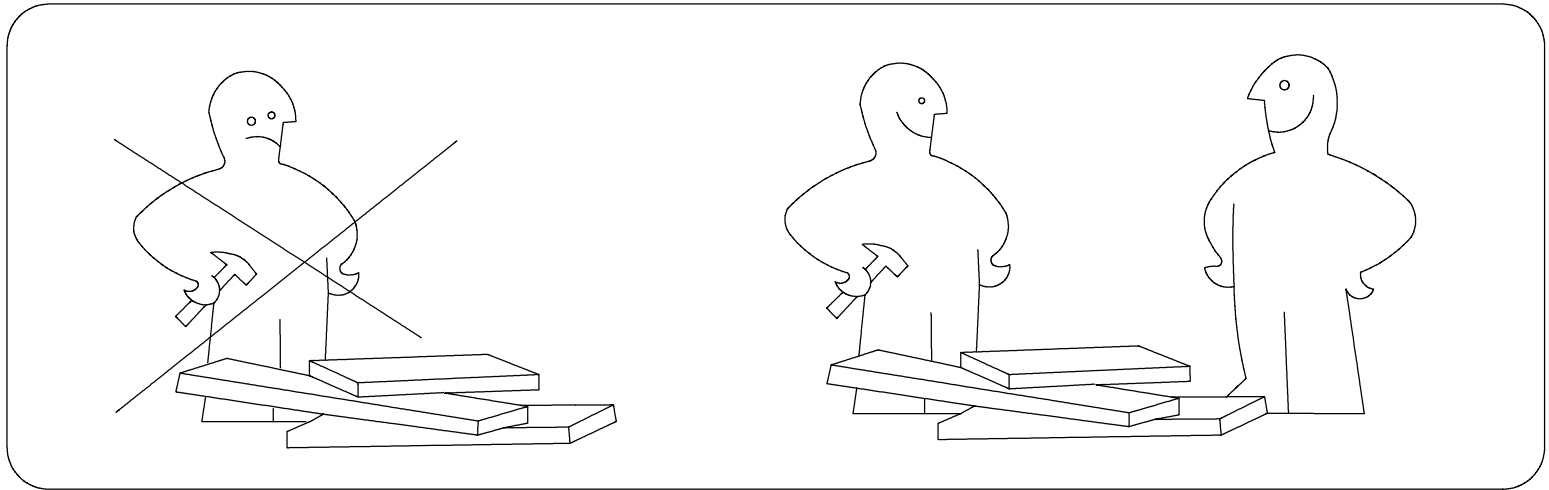
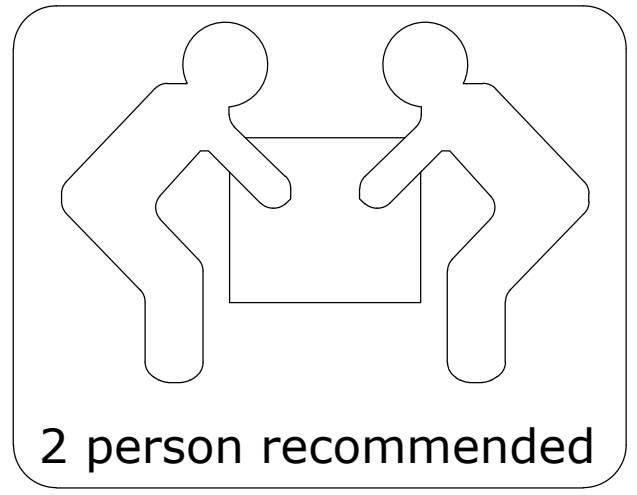
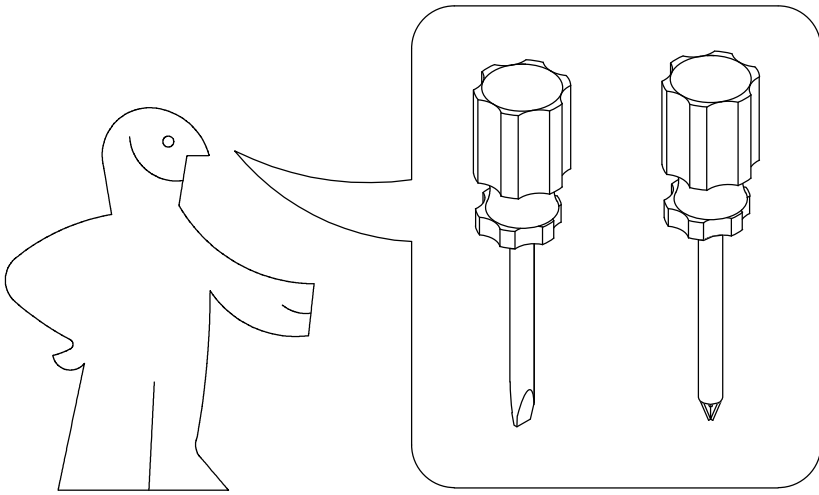


# sømcasa

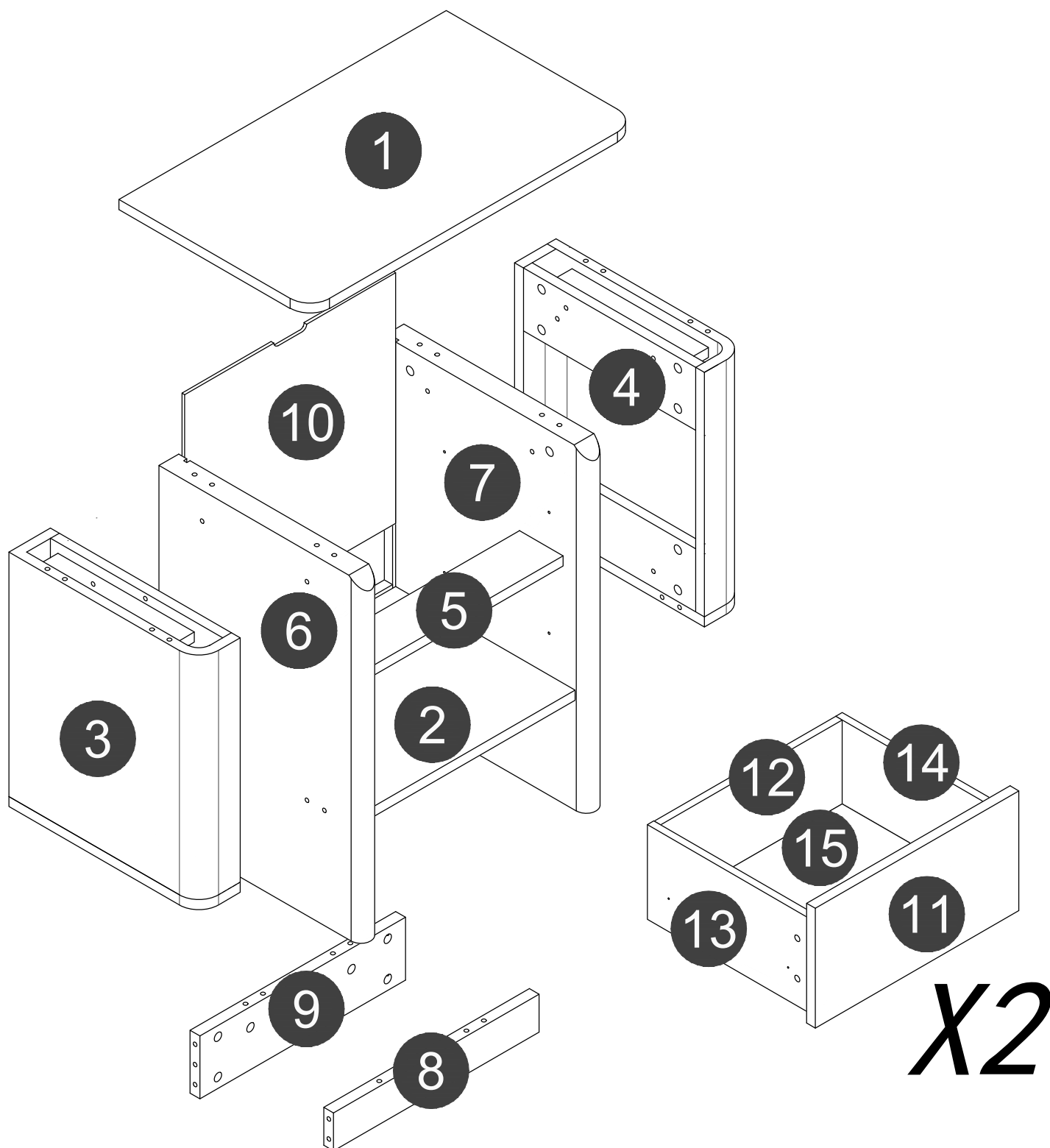
## Assembly Instruction



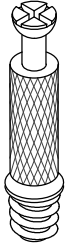


Panel No	Panel Sizes	Quantity
1	600*350*16	1
2	377*350*16	1
3	404*346*75	1
4	404*346*75	1
5	377*80*16	1
6	579*370*36	1
7	579*370*36	1
8	377*60*18	1

Panel No	Panel Sizes	Quantity
9	377*100*18	1
10	398*387*5	1
11	371*190*16	2
12	333*150*12	2
13	300*150*12	2
14	300*150*12	2
15	343*298*5	2

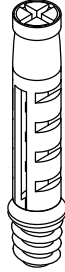


# Fittings



M6\*40

A1=24



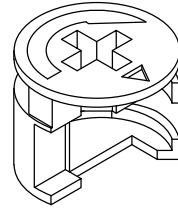
Φ8\*40

A2=4



Φ8\*30

B=26



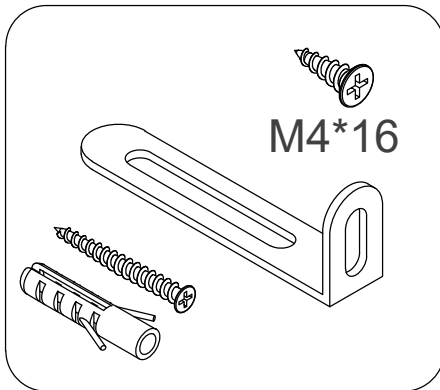
Φ15\*12

C=24



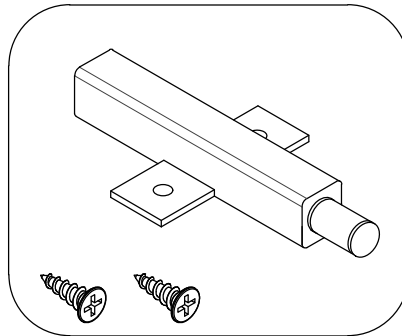
Φ21

D=40

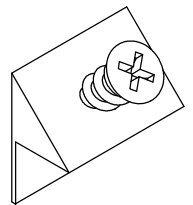


M4\*16

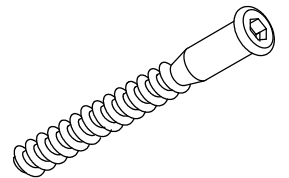
F2=1



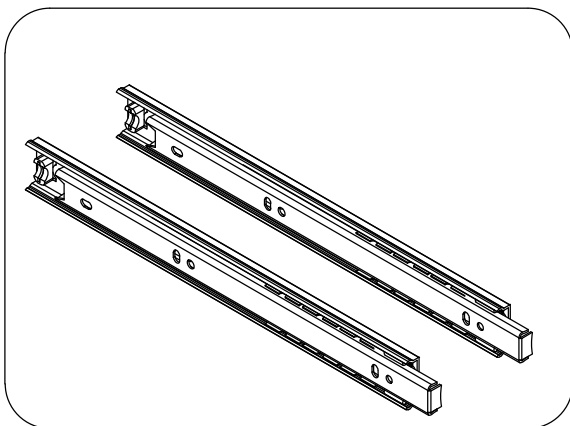
K=2



E=4



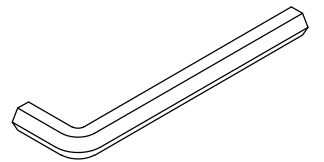
Q=4



N=2



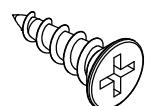
P=16



H = 1



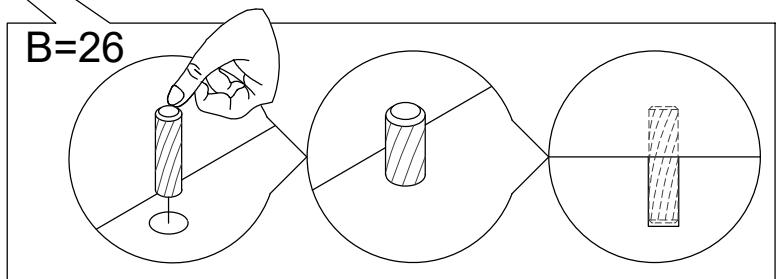
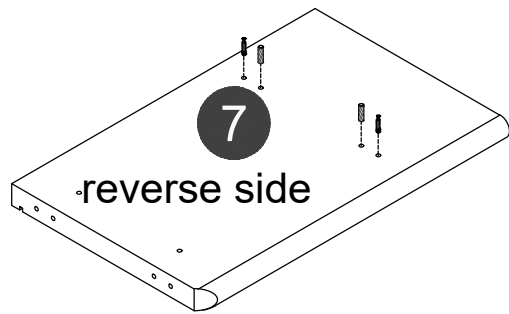
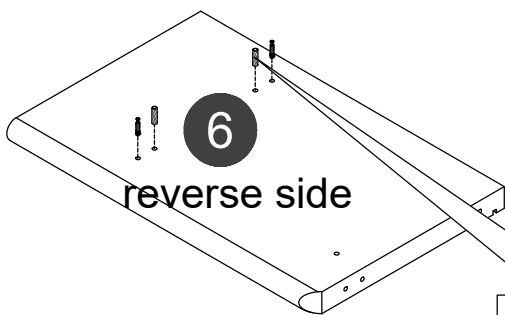
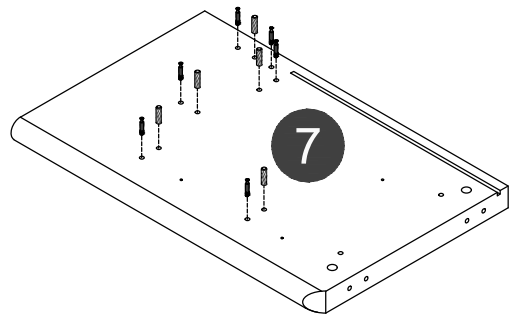
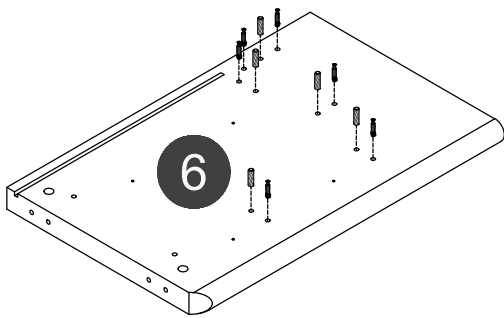
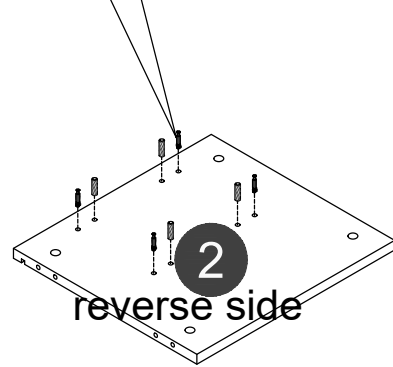
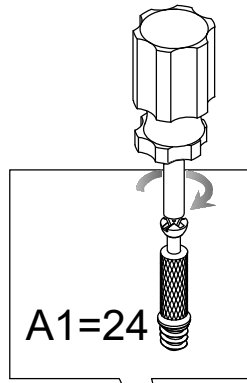
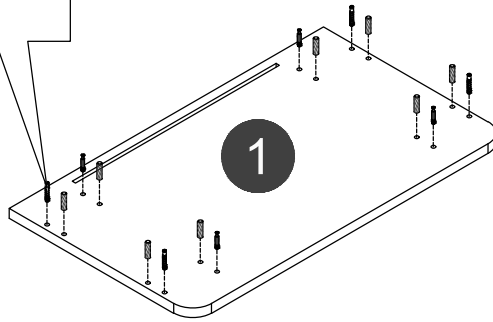
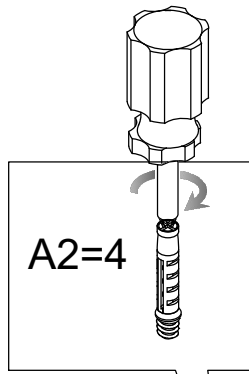
O=16



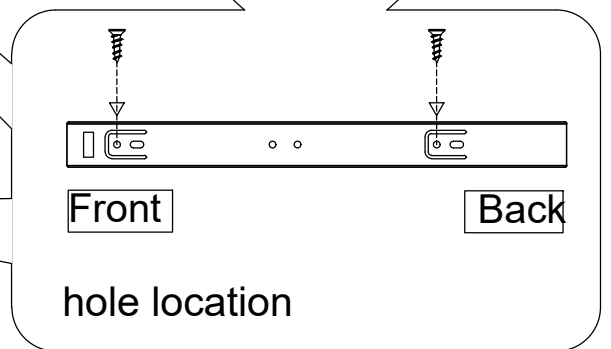
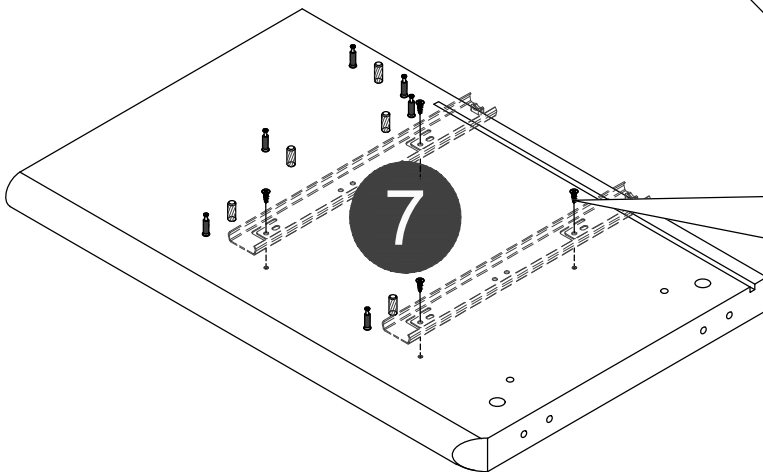
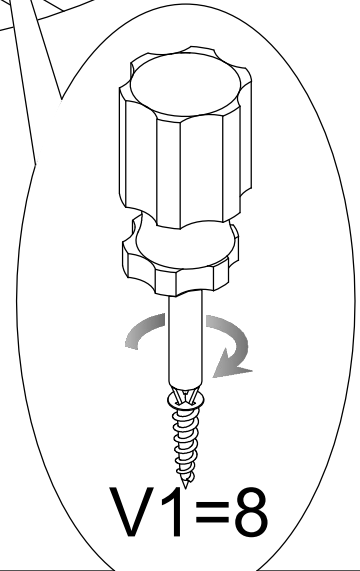
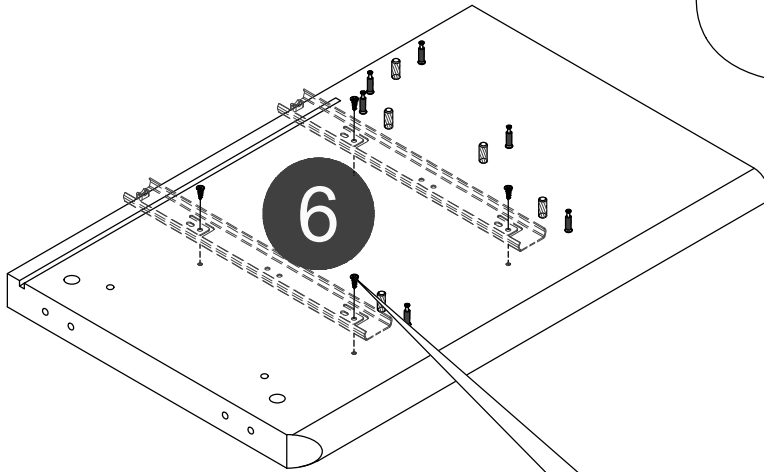
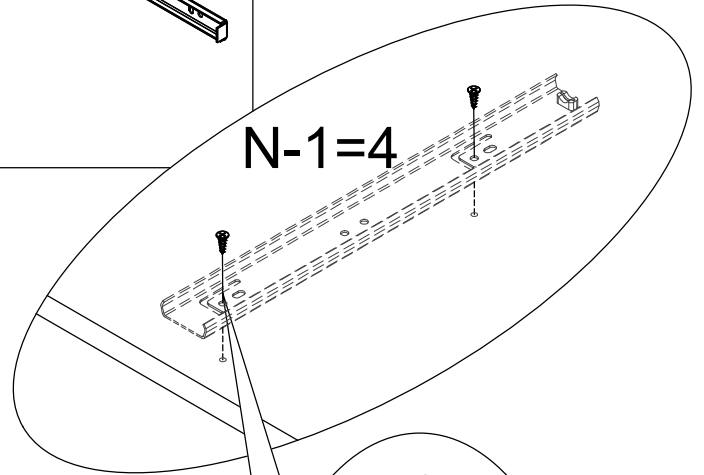
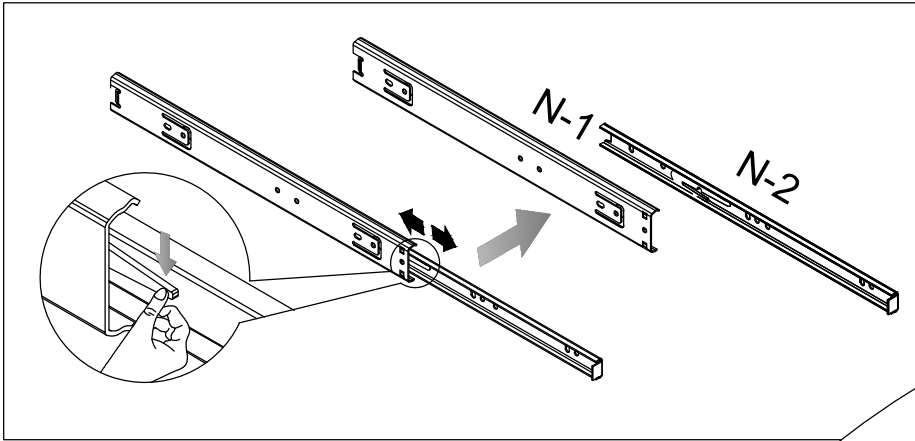
M3.5\*12

V1=16

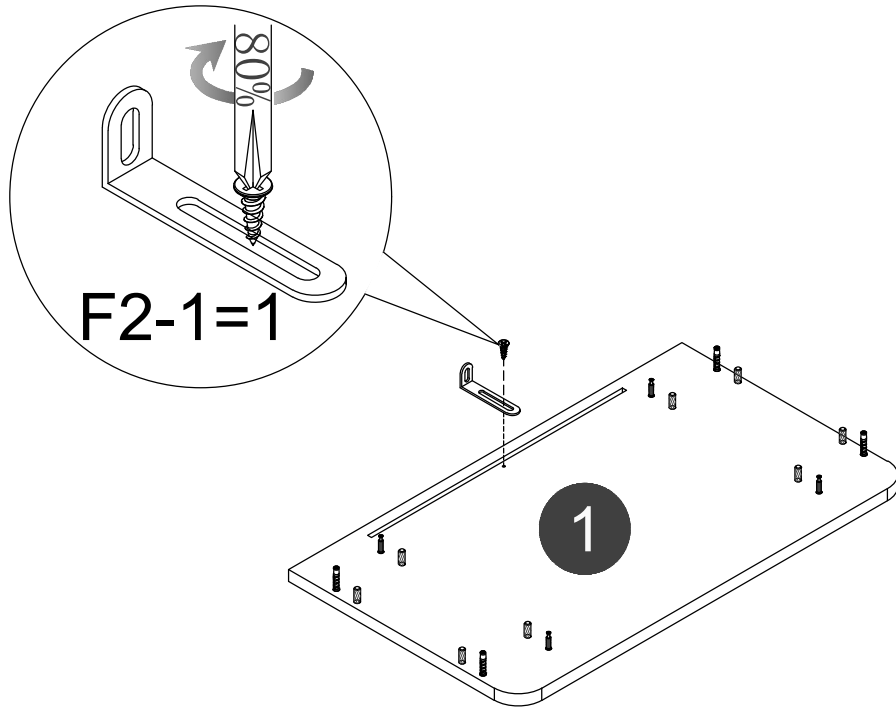
# STEP 1



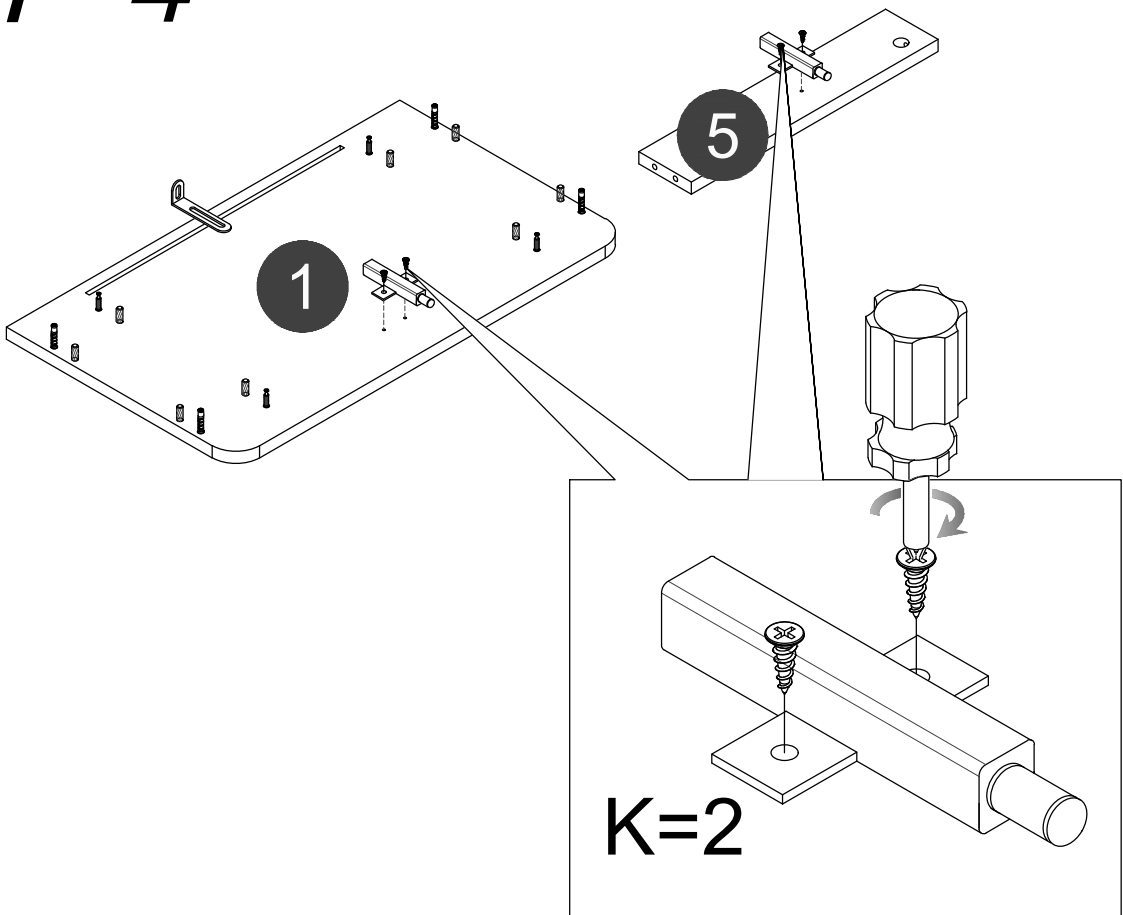
# STEP 2



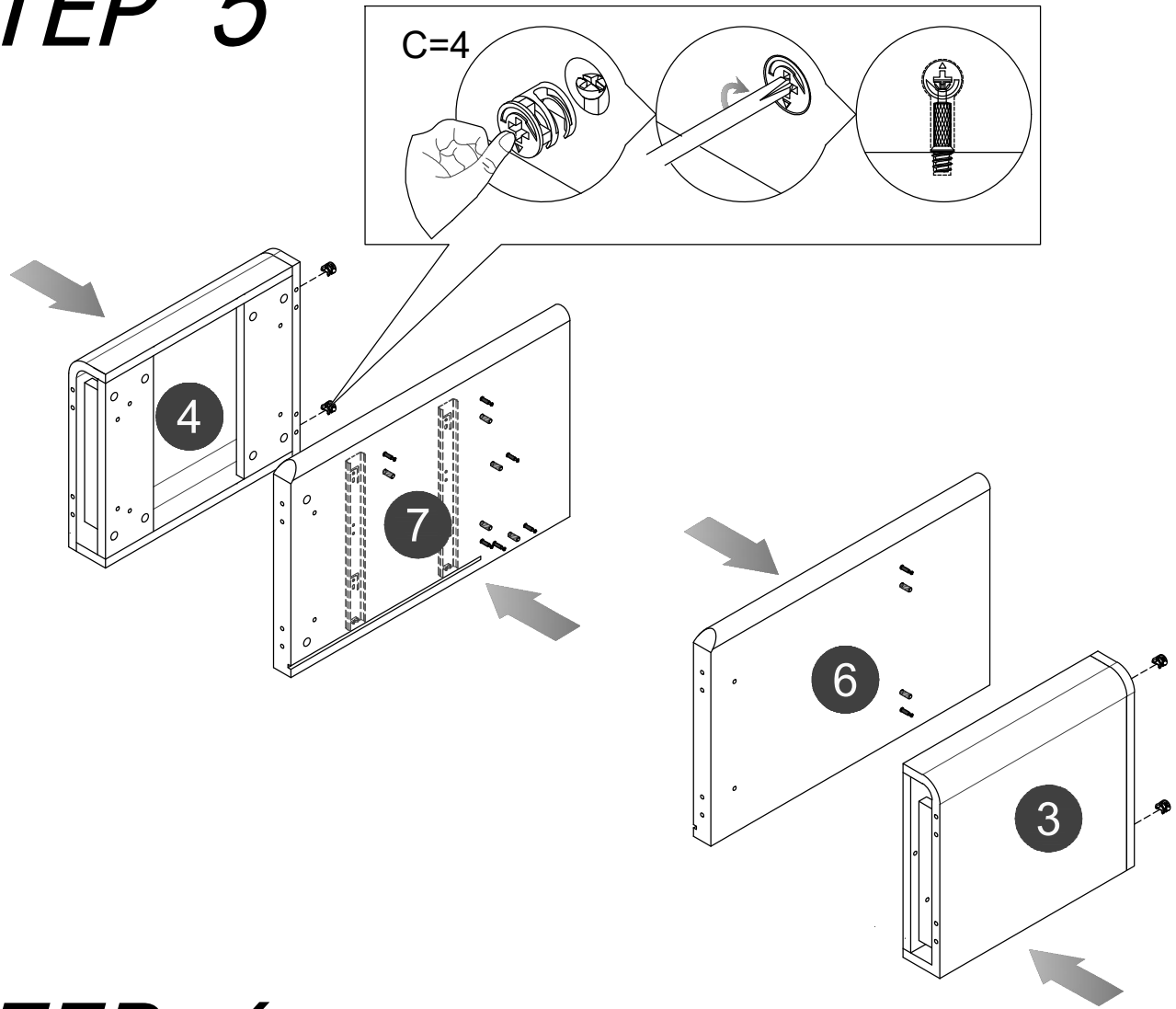
# STEP 3



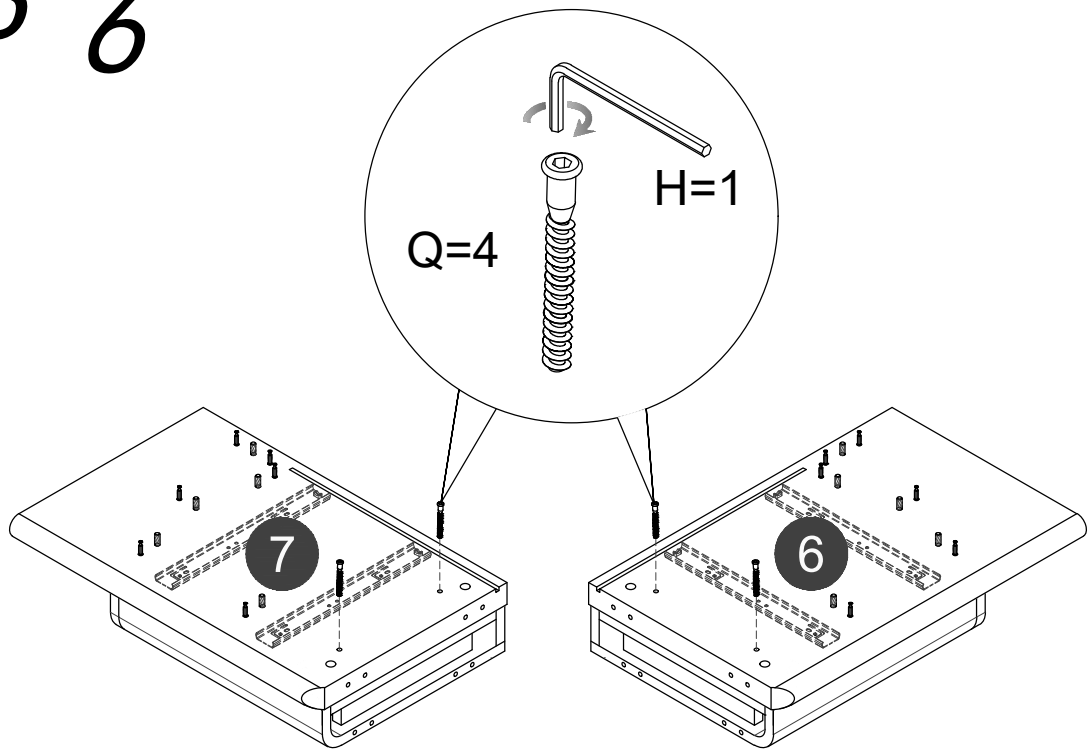
# STEP 4



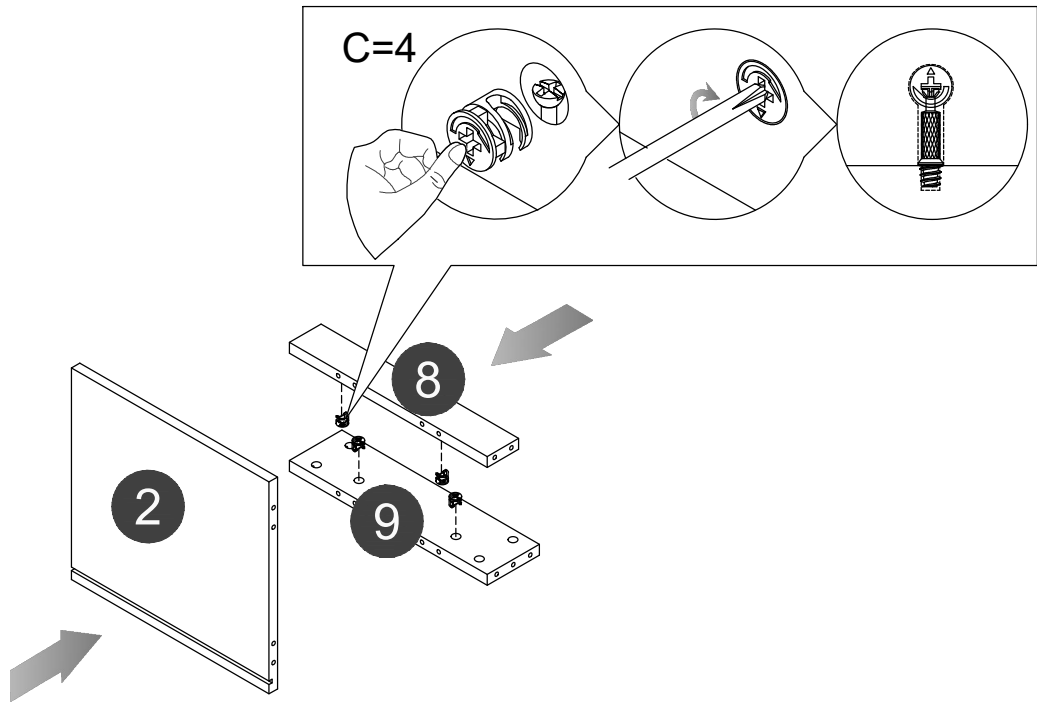
# STEP 5



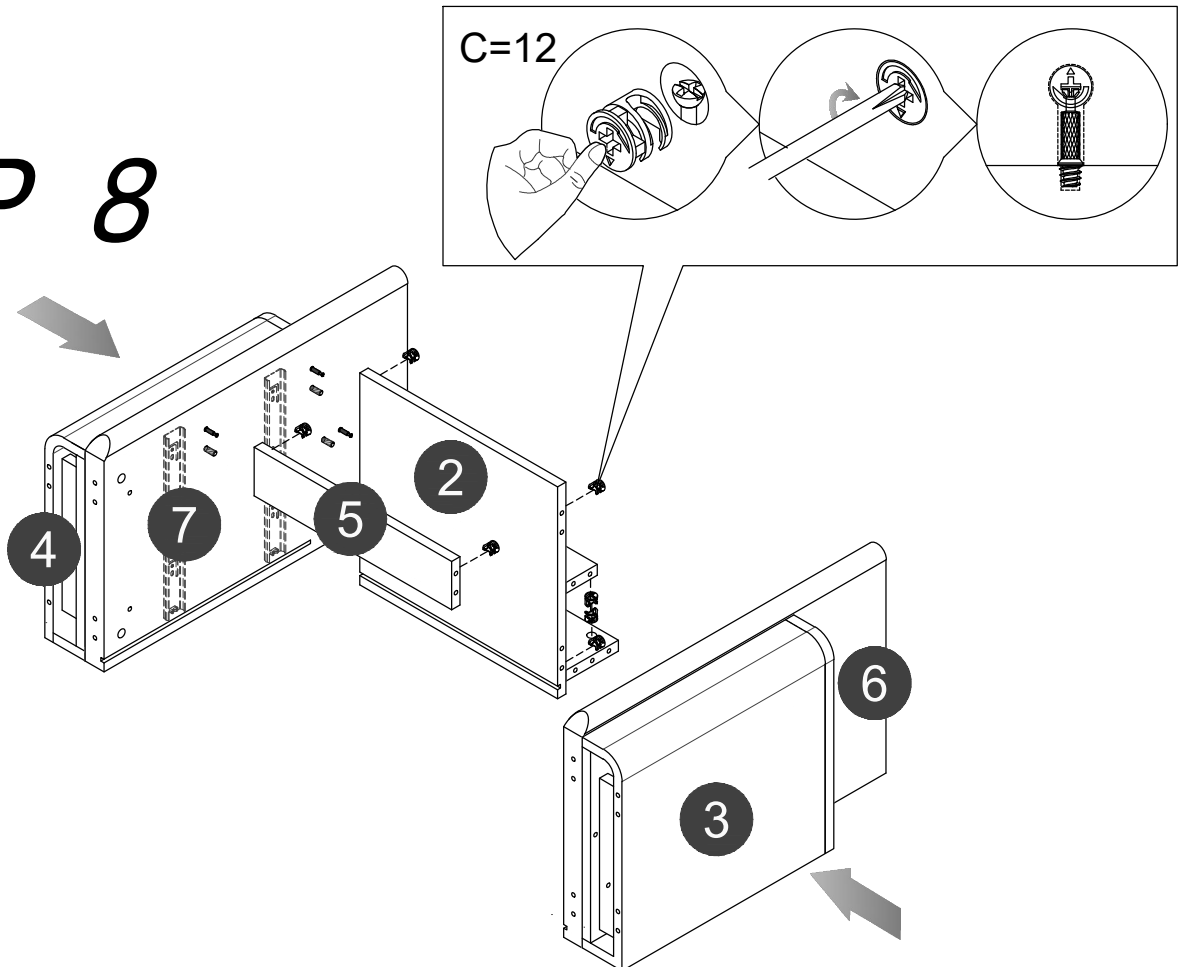
# STEP 6



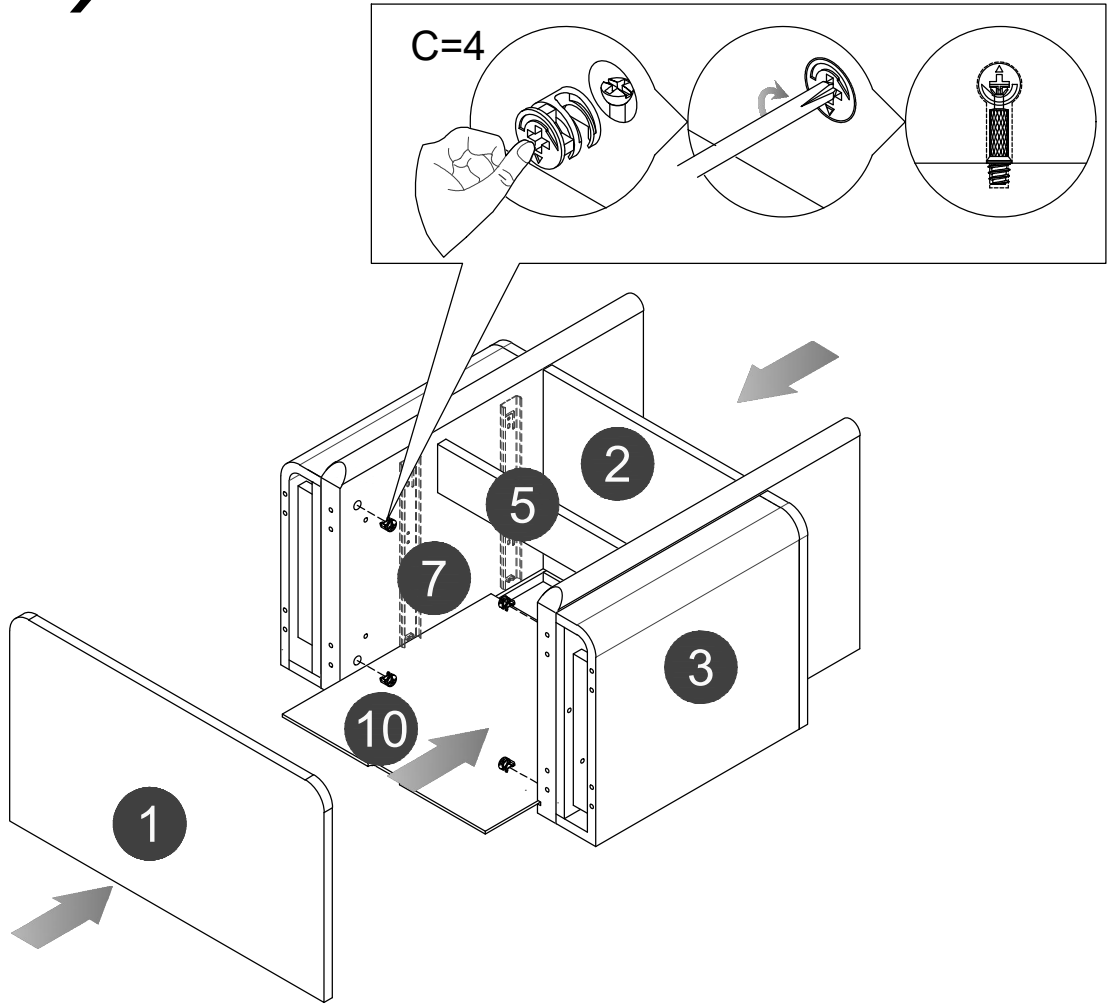
# STEP 7



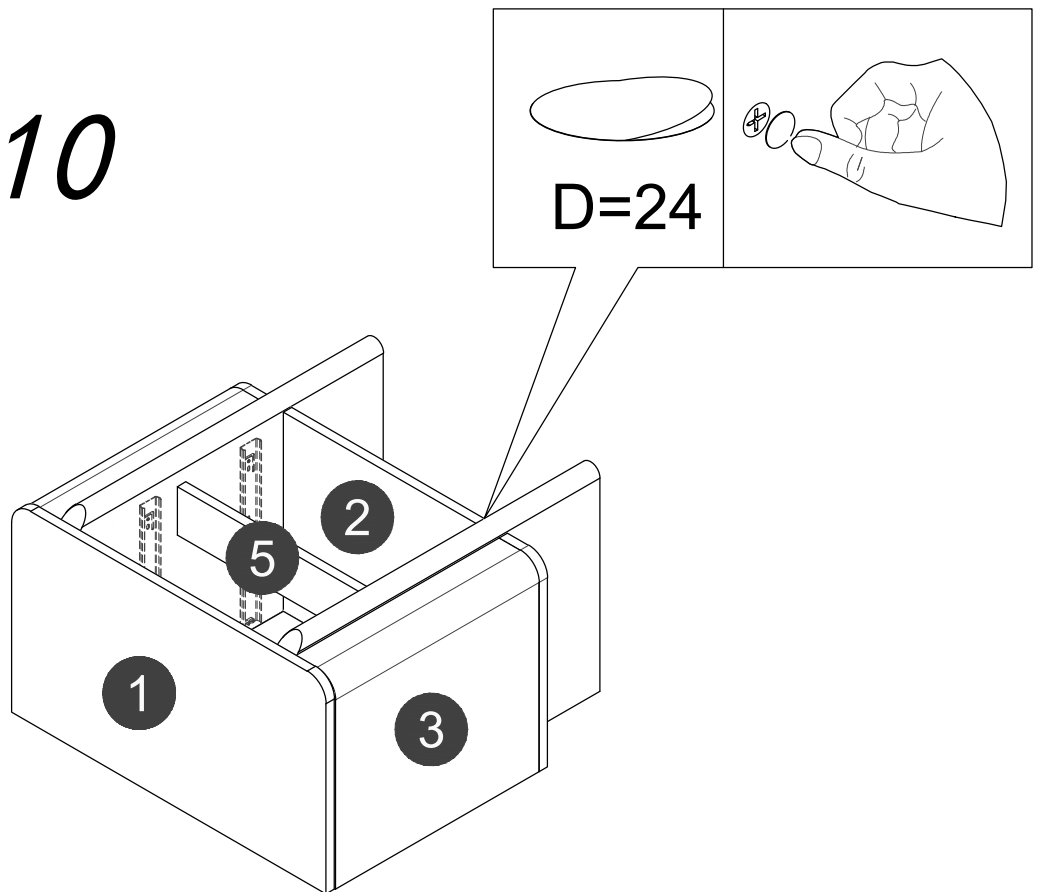
# STEP 8



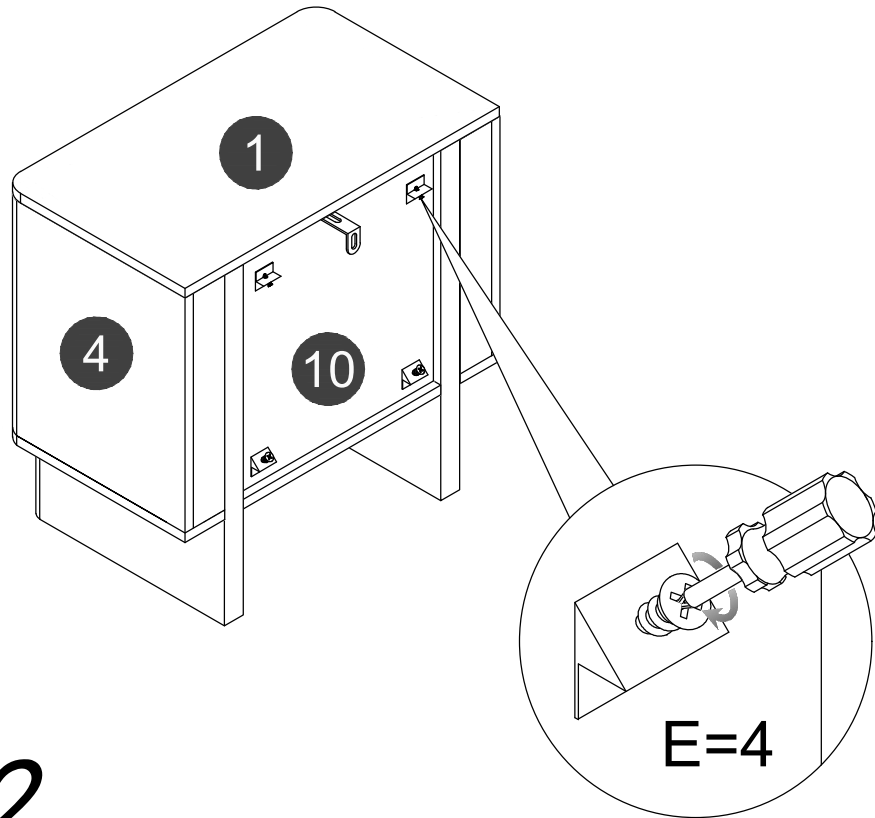
# STEP 9



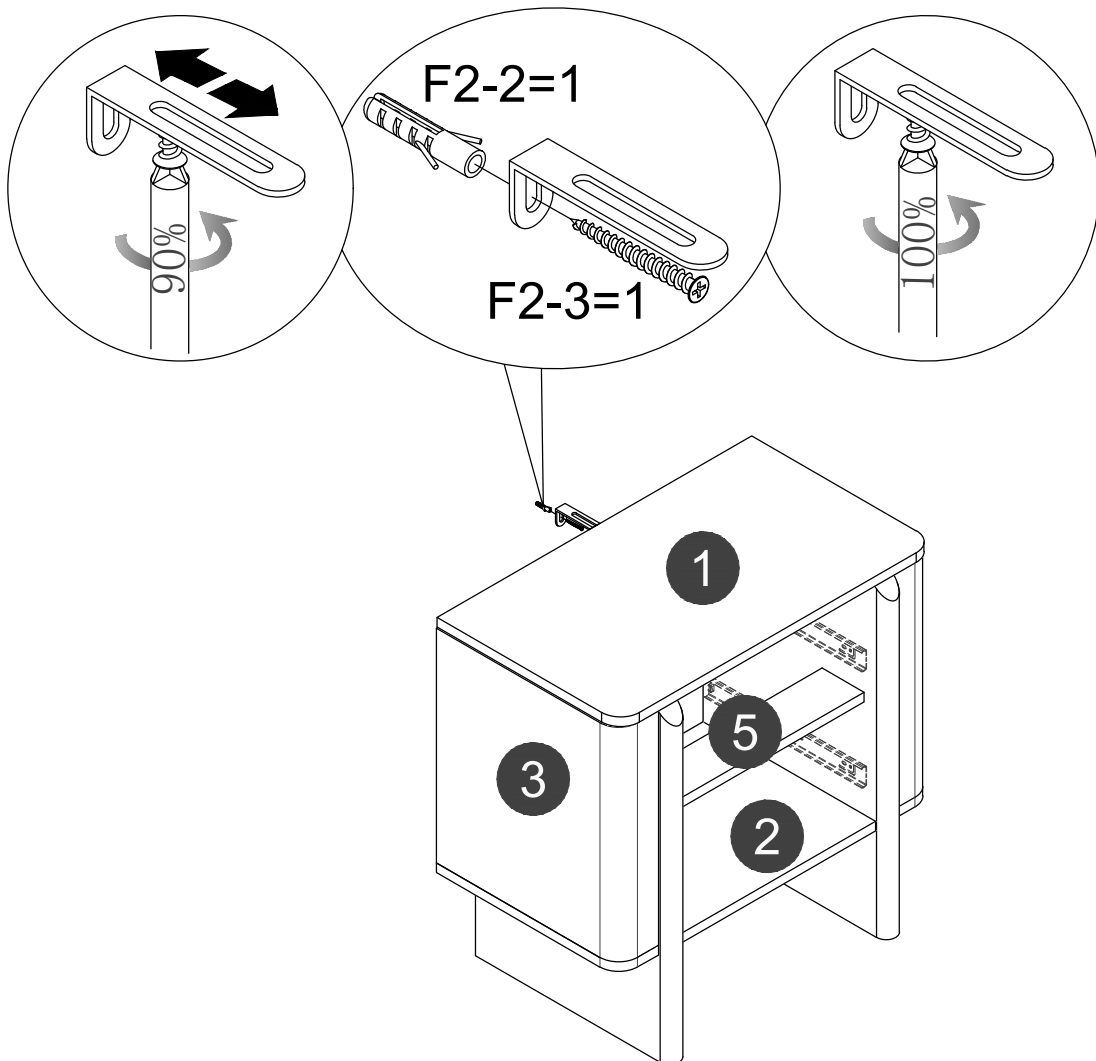
# STEP 10



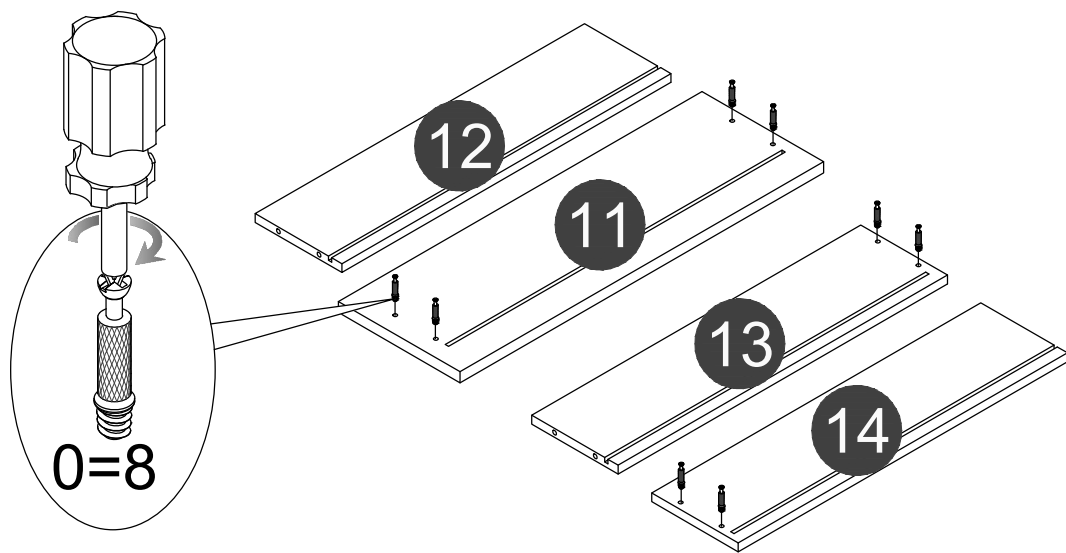
# STEP 11



# STEP 12

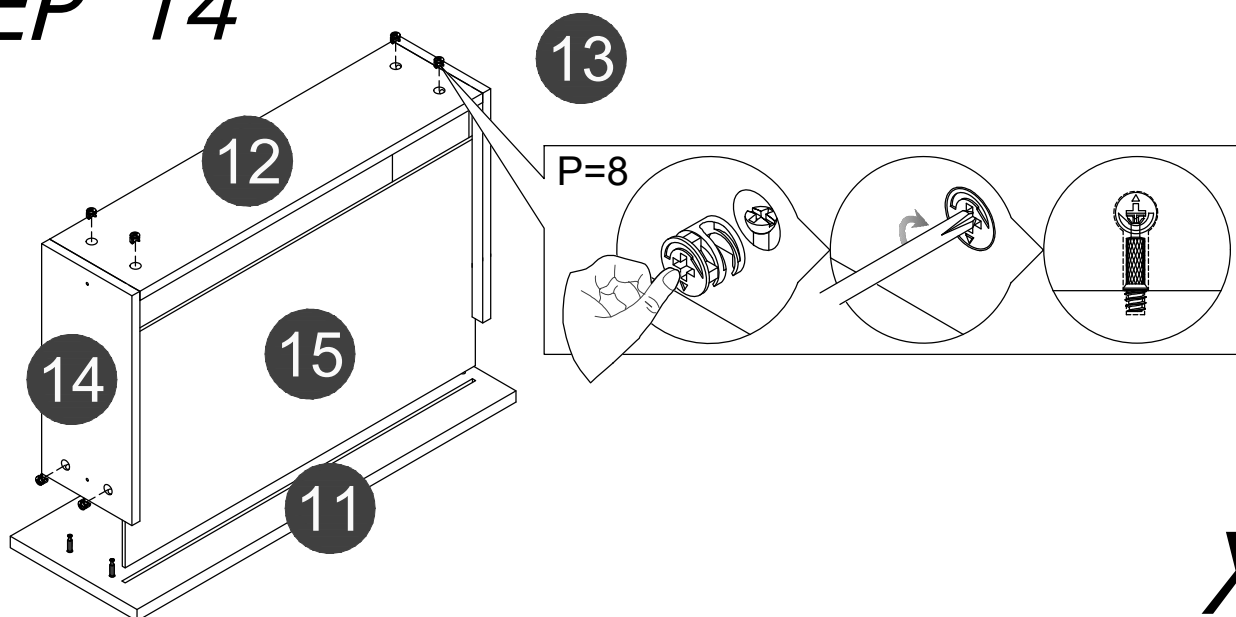


# STEP 13



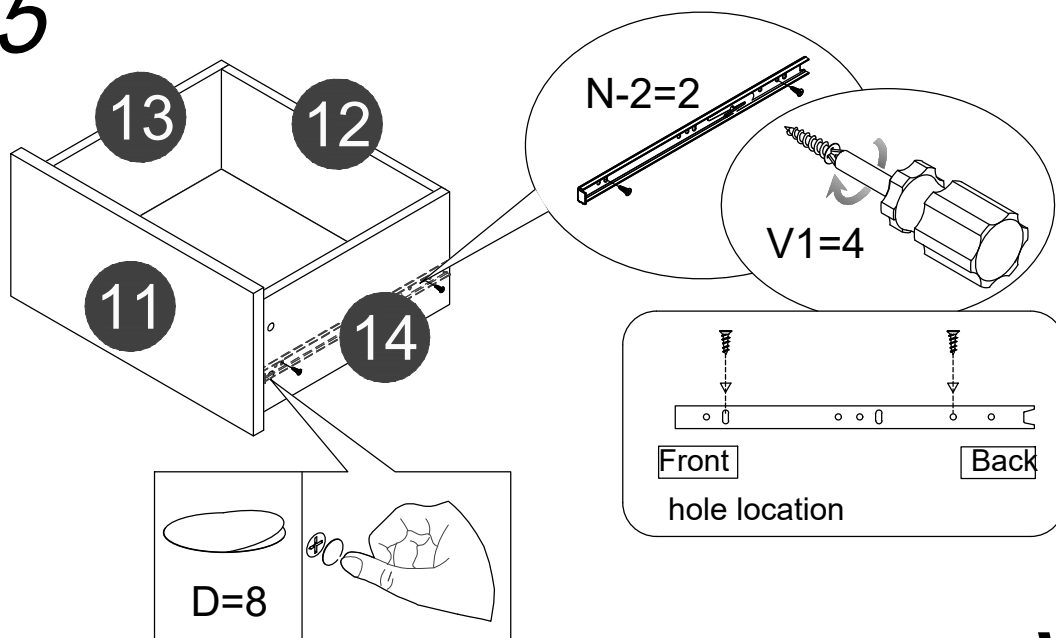
X2

# STEP 14



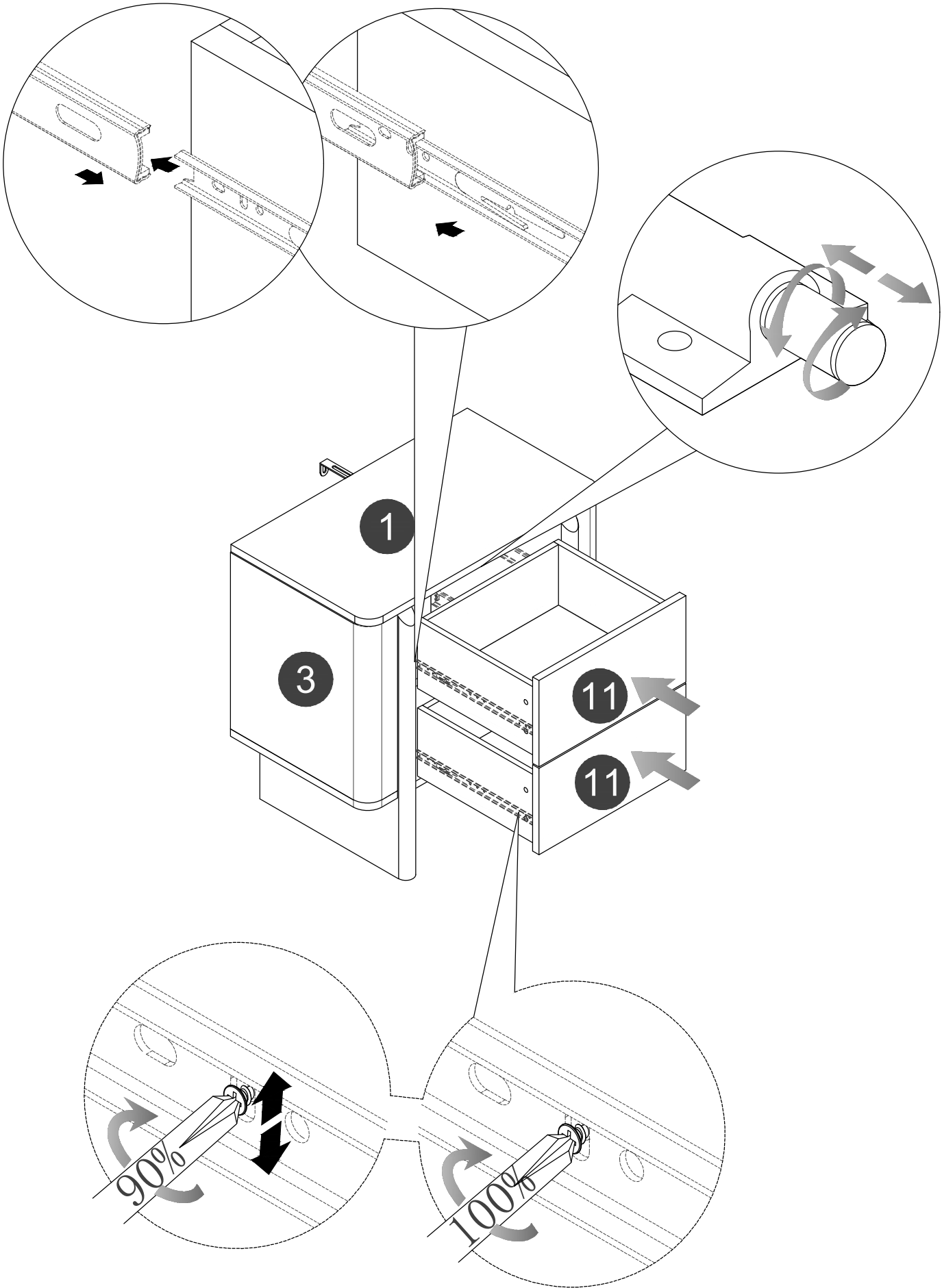
X2

# STEP 15

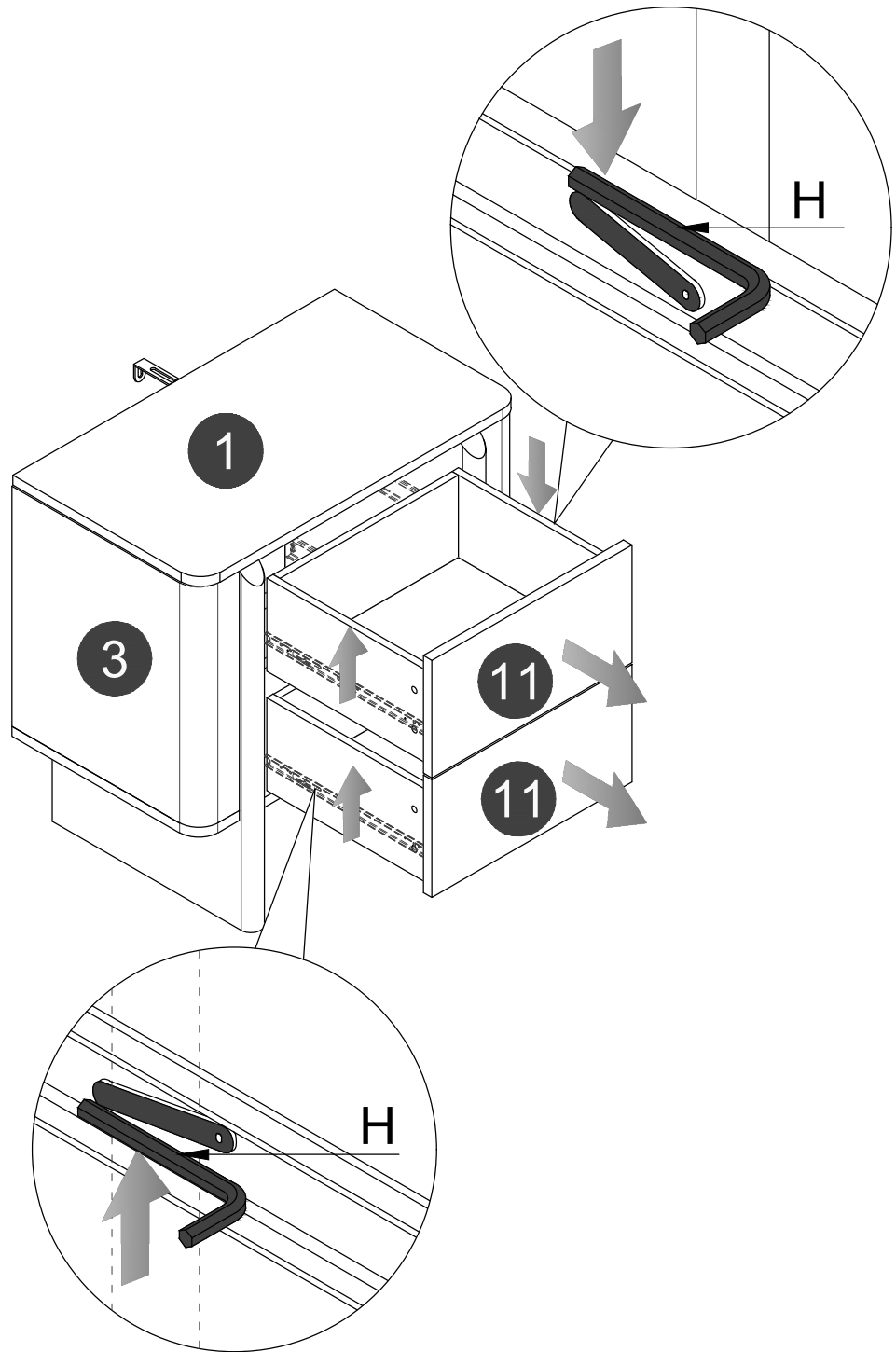


X2

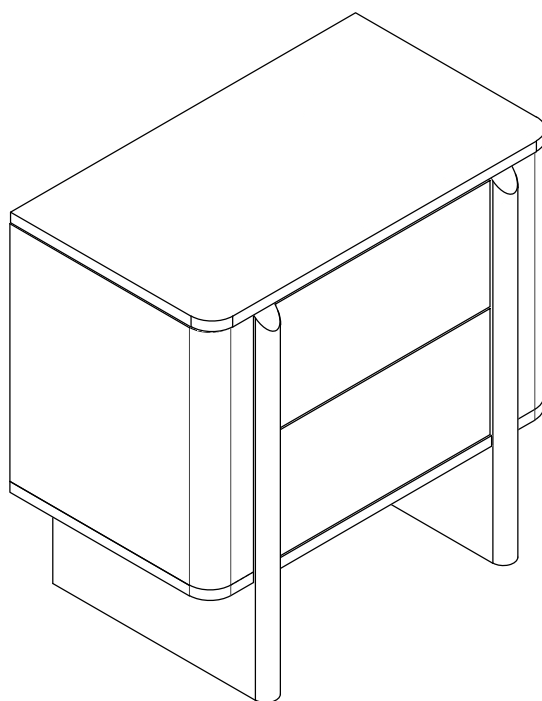
# STEP 16



# STEP 17



# *STEP 18*



*Finish*