
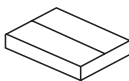

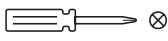
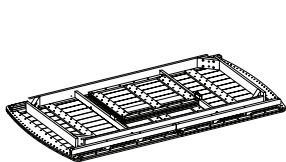


Kave® Cares

			
20 min	x1	x1	x1



A x1



B x4



C x1



D x1



E x1



F x4
M4x15mm



G x2
M6x35mm



H x8
M8x20x2mm



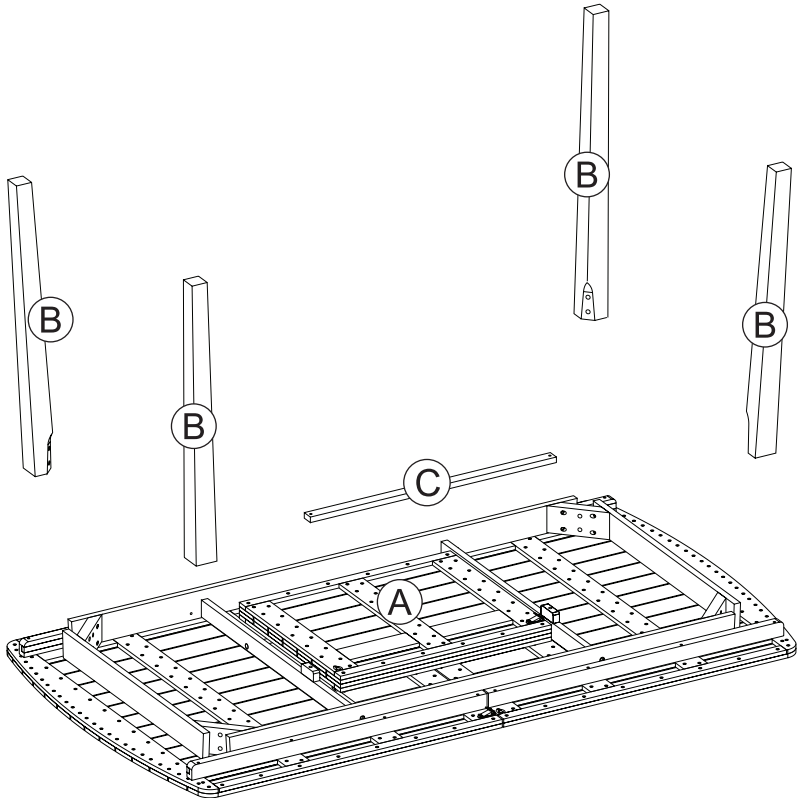
I x8
M8x80mm

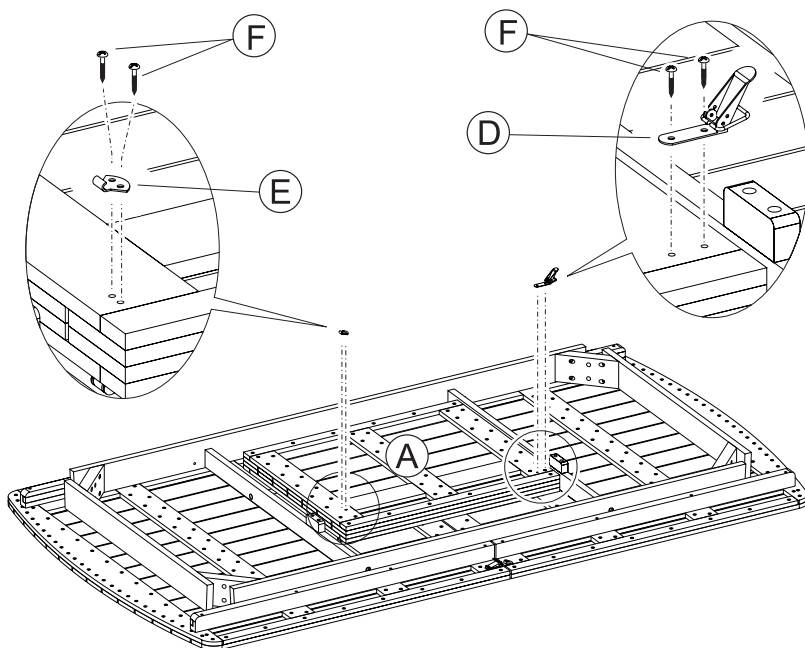


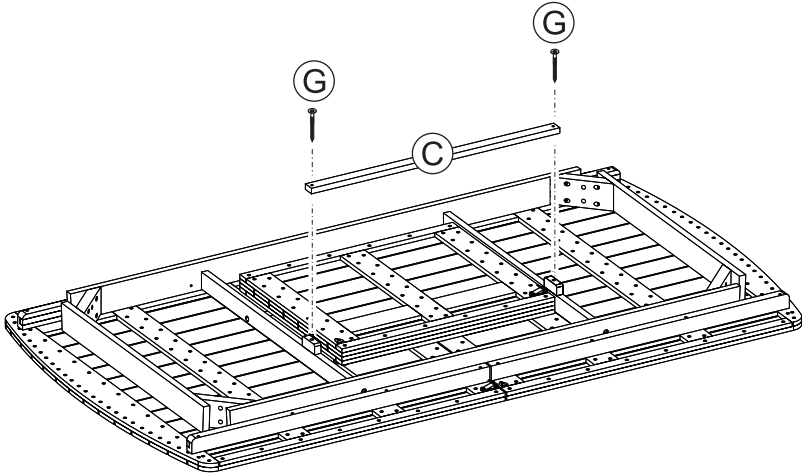
J x1
4mm



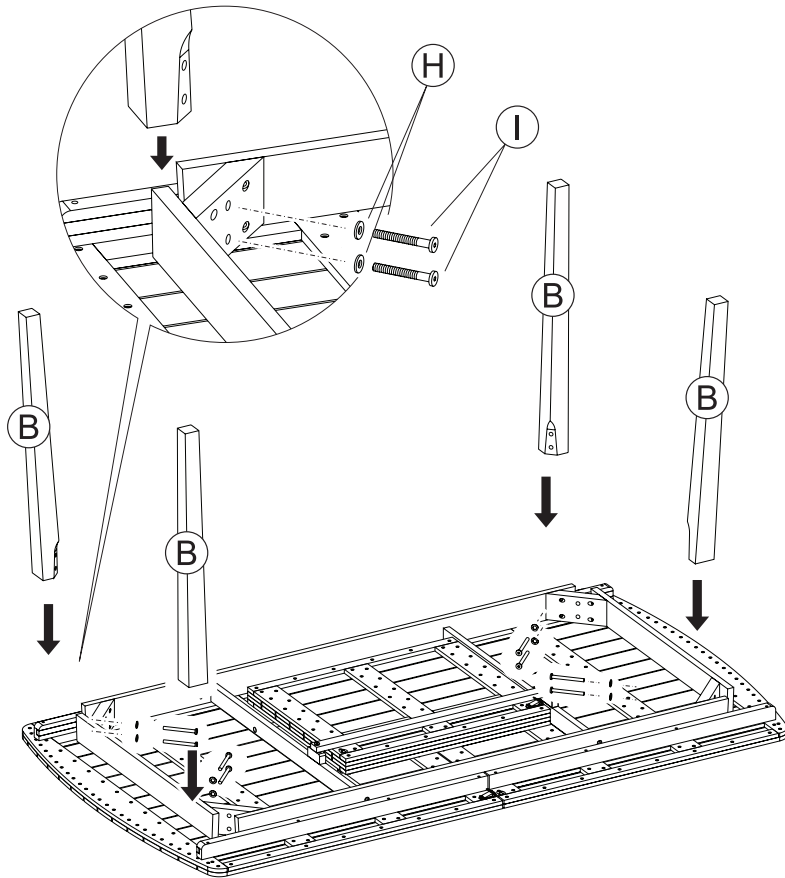
K x1
5mm



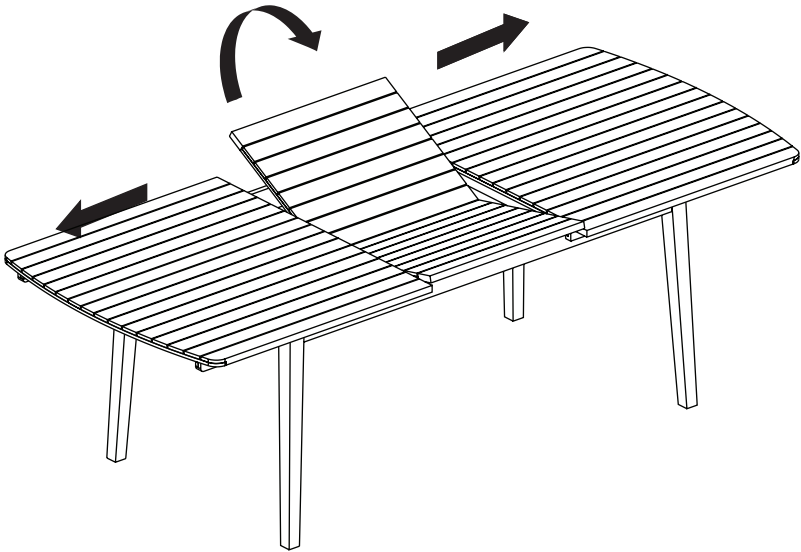




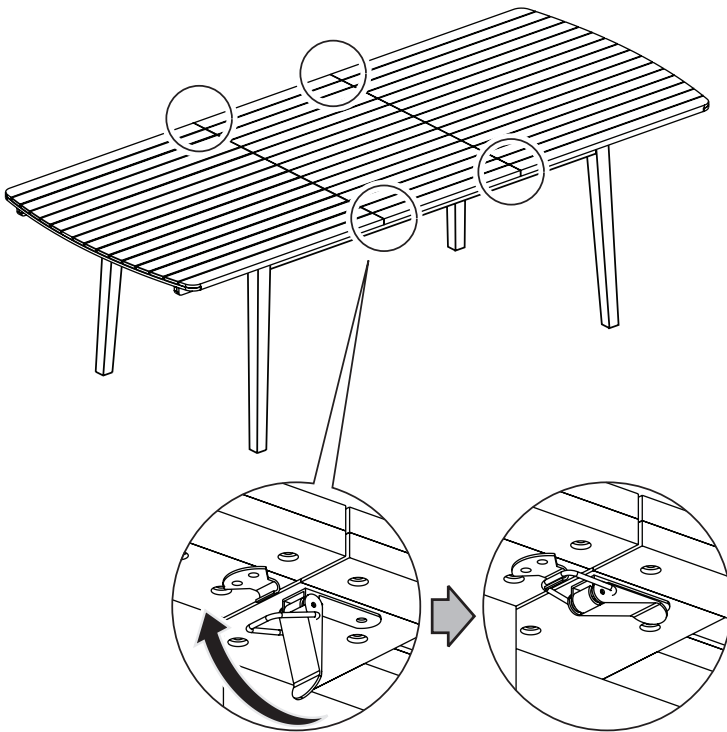
3

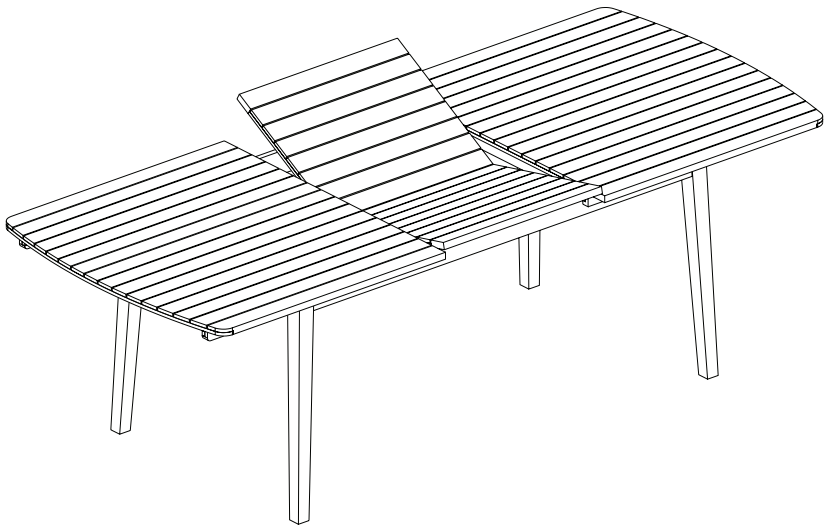


4



5







THAT'S ALL FOLKS

Share your style!

#KaveHome

