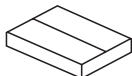




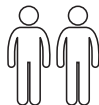
Kave® Cares



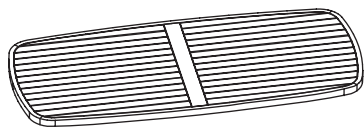
15 min



x1



x2



**A** x1



**B** x4



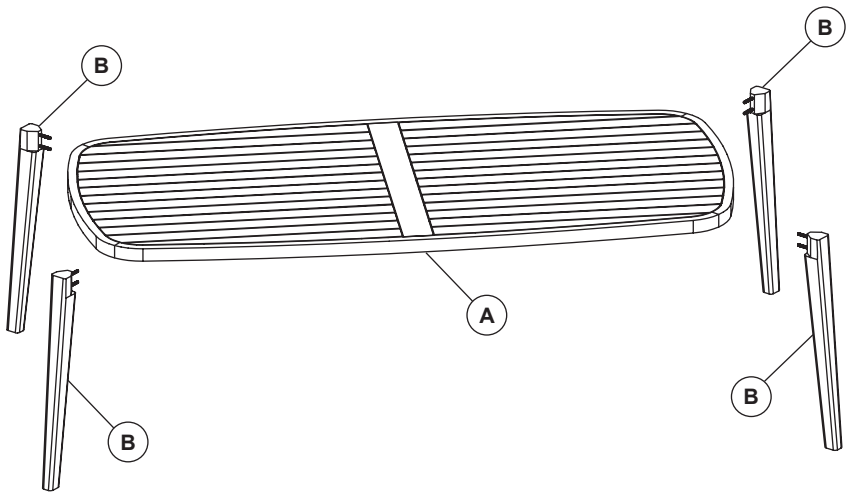
**C** x8



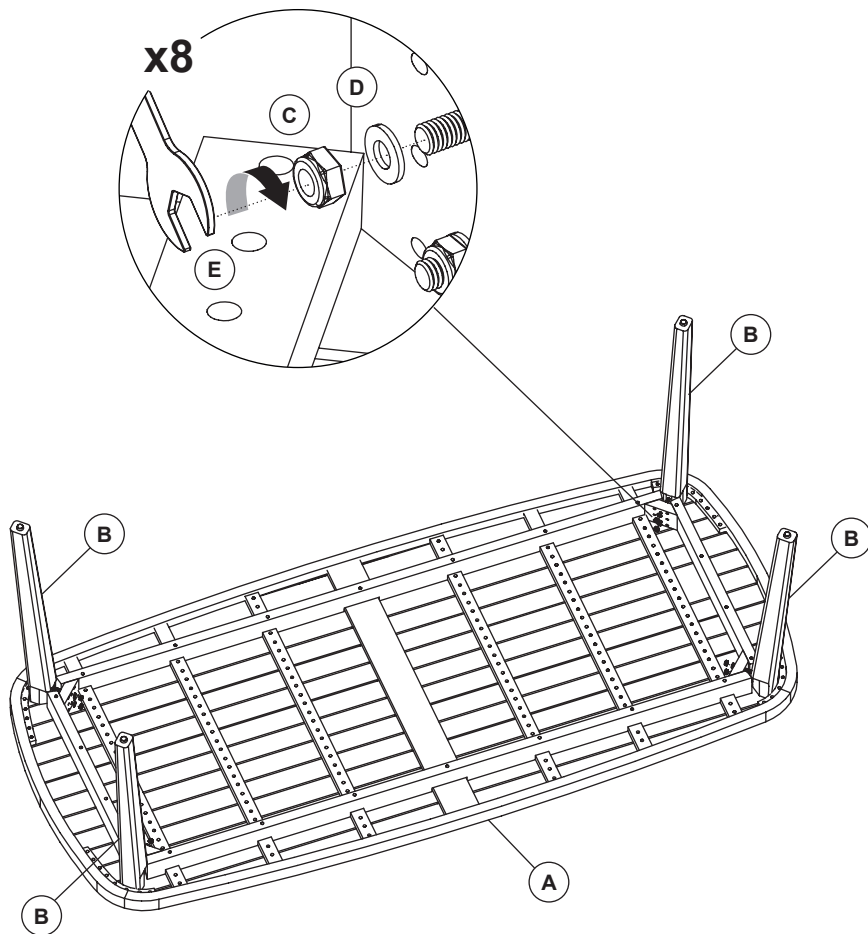
**D** x8

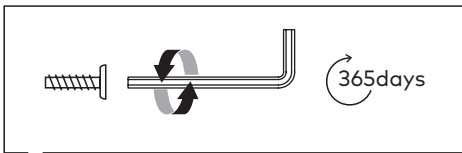
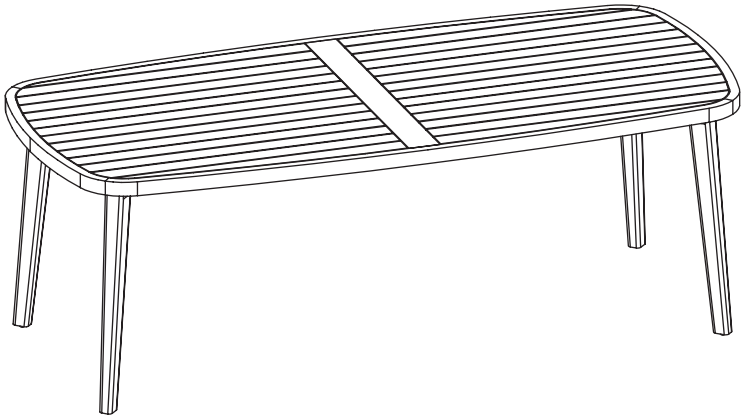


**E** x1



1









**THAT'S ALL FOLKS**

Share your style!

#KaveHome

