
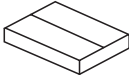

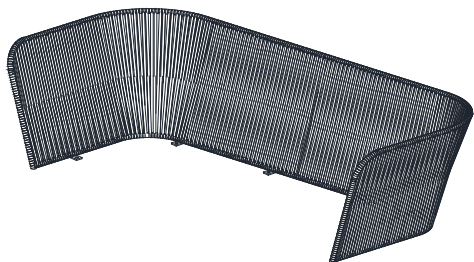


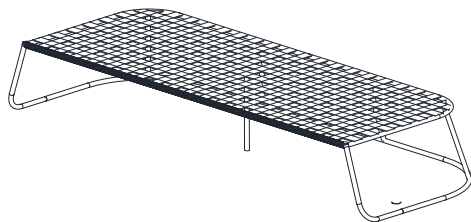


Kave® Cares

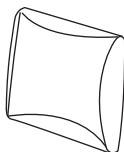
		
20 min	x1	x1



**A** x1



**B** x1



**C** x3



**D** x1



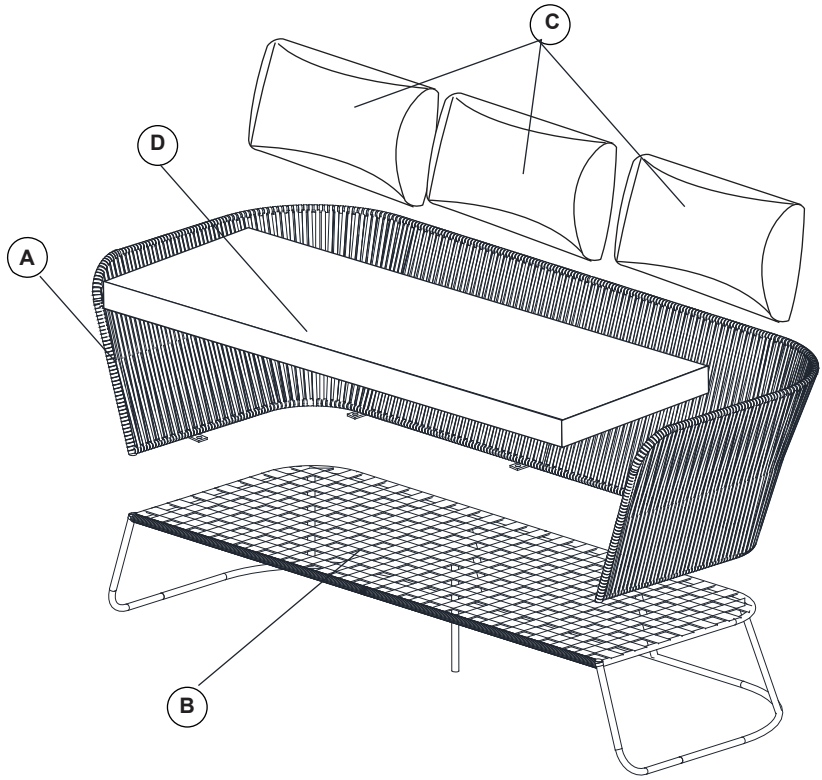
**E** x1

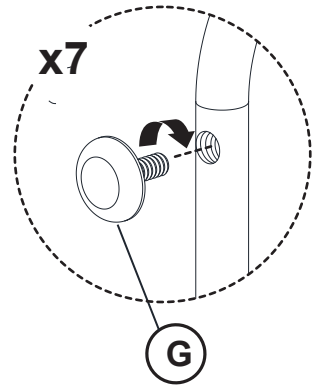
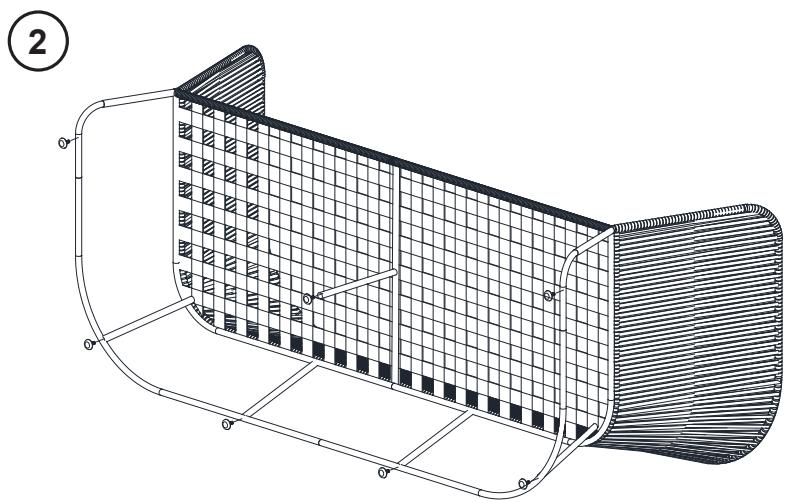
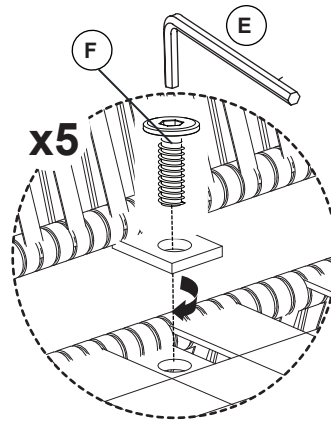
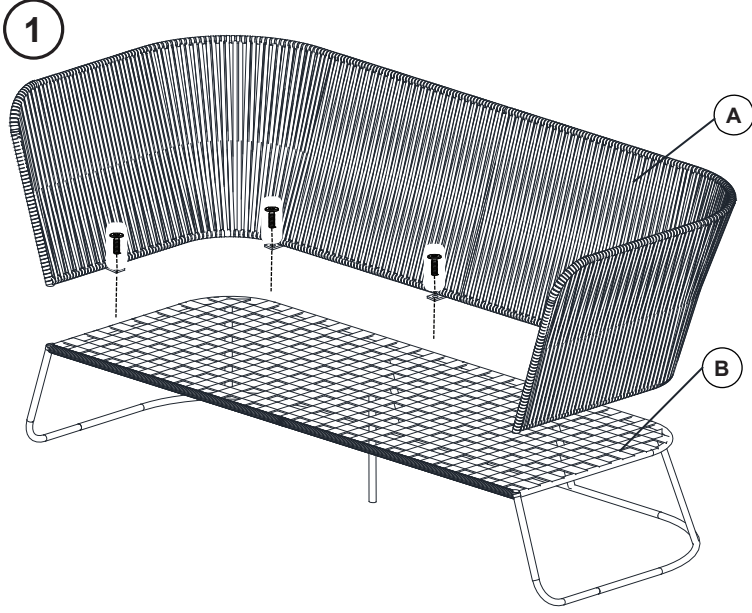


**F** x5  
M6x20mm

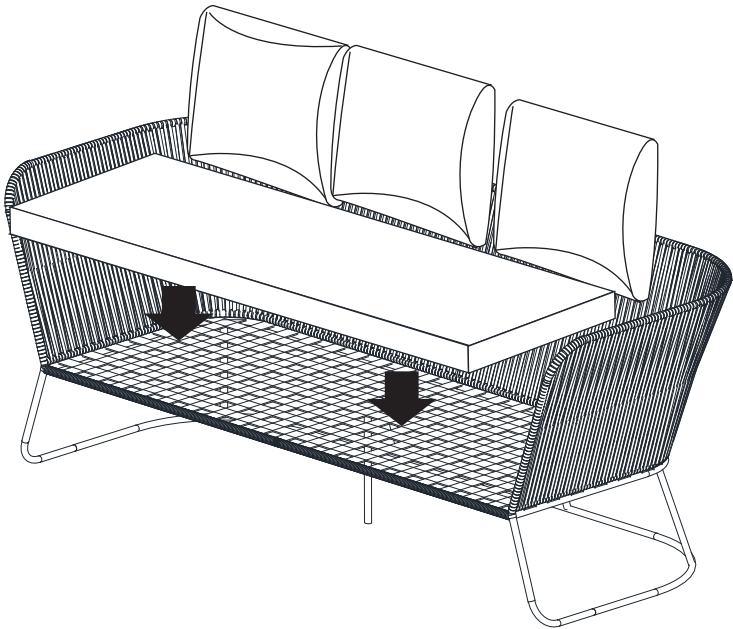


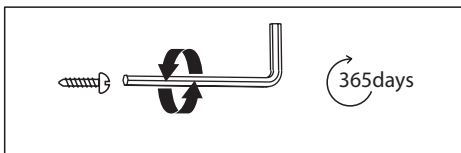
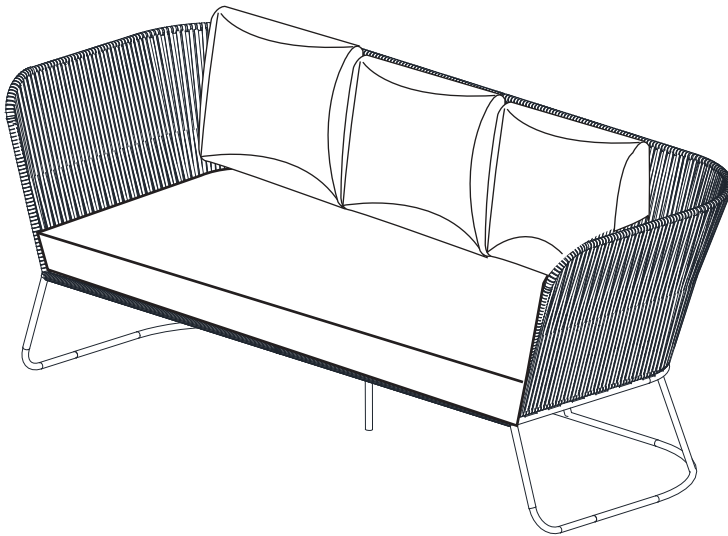
**G** x7





3







**THAT'S ALL FOLKS!**

Share your style!

**#KaveHome**

