
50 min	x2	x2	x1



Ax14(m4x25)



Bx28(ø15x12)



Cx28(M6x45)



Dx28(ø8x30)



Ex4(ø3.5x35)



Fx8(ø5x14)



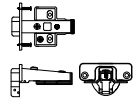
Gx4
(ø23x7-M8x25)



Hx48(ø4x14)



Ix16



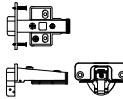
Jx4 (ø35)



Kx4(ø10x17)



Lx28(ø20)



Mx4 (ø40)



Nx6(m4xø8x2)



Ox 8set



Px1(ø8x50)



AAx4(ø3.5x16)



ABx4



ACx4(ø3.5x50)



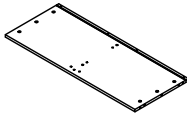
ADx4



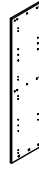
AEx2



(1)x1



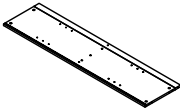
(2)x1



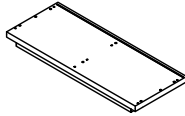
(3)x1



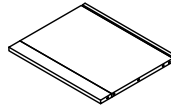
(4)x1



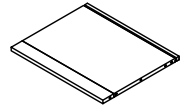
(5)x1



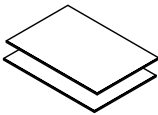
(6)x1



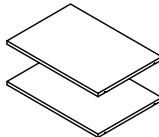
(7)x1



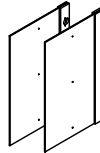
(8)x1



(10)x2



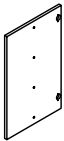
(11)x2



(12)x2



(13)x2



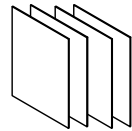
(14)x1



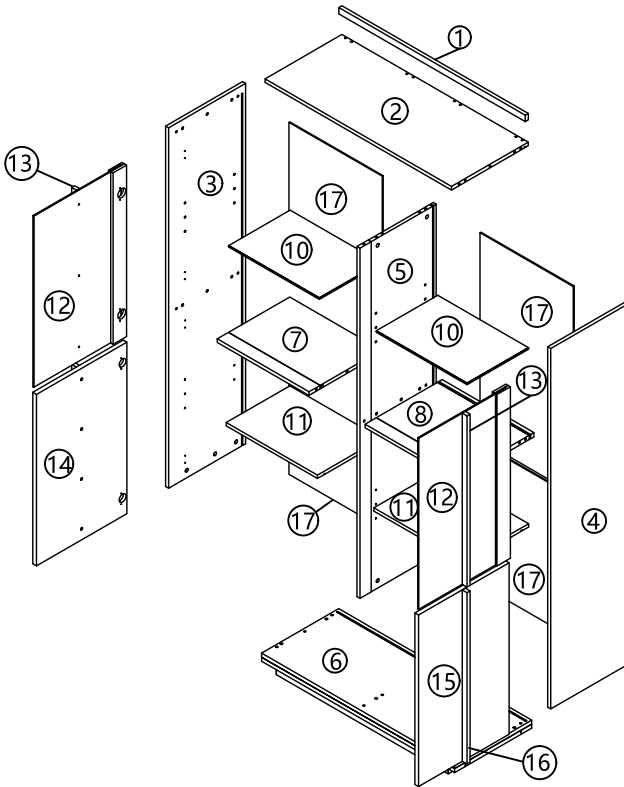
(15)x1



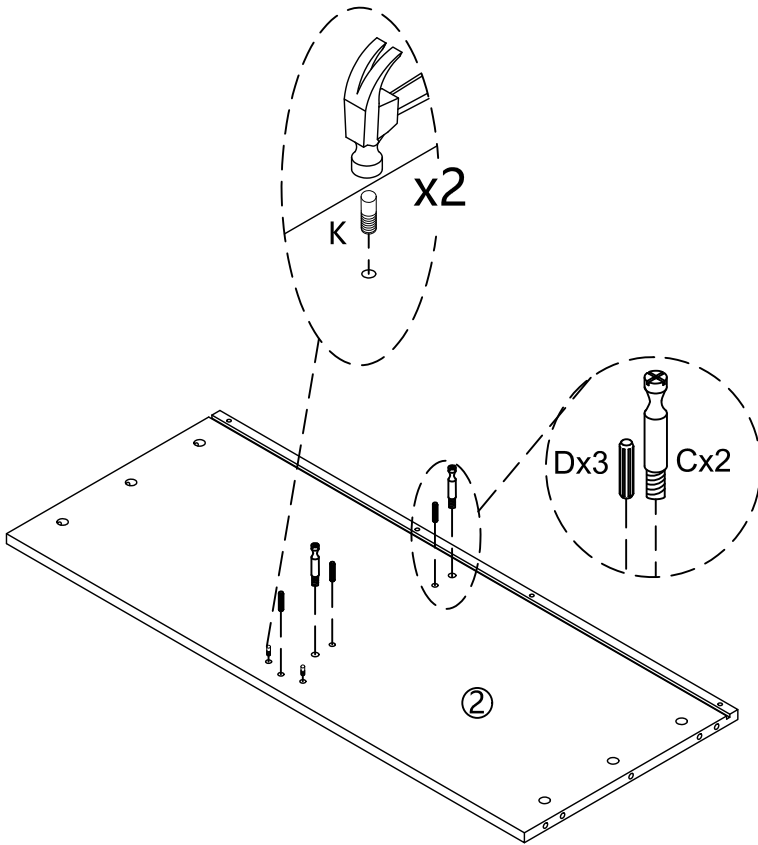
(16)x2



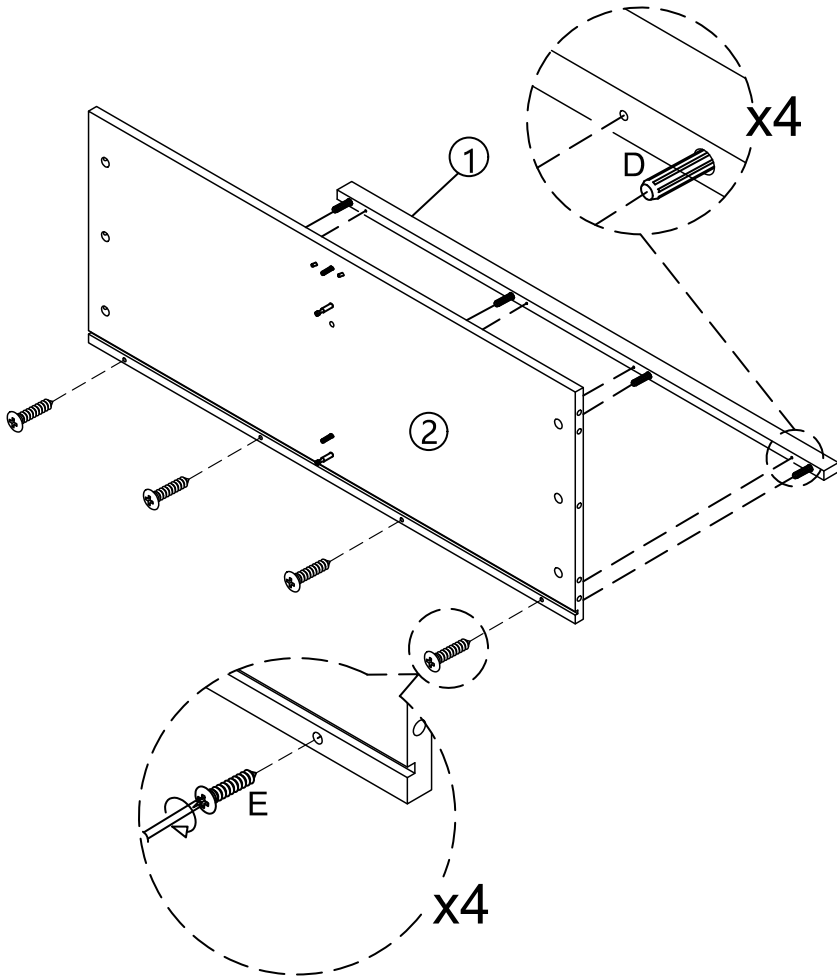
(17)x4



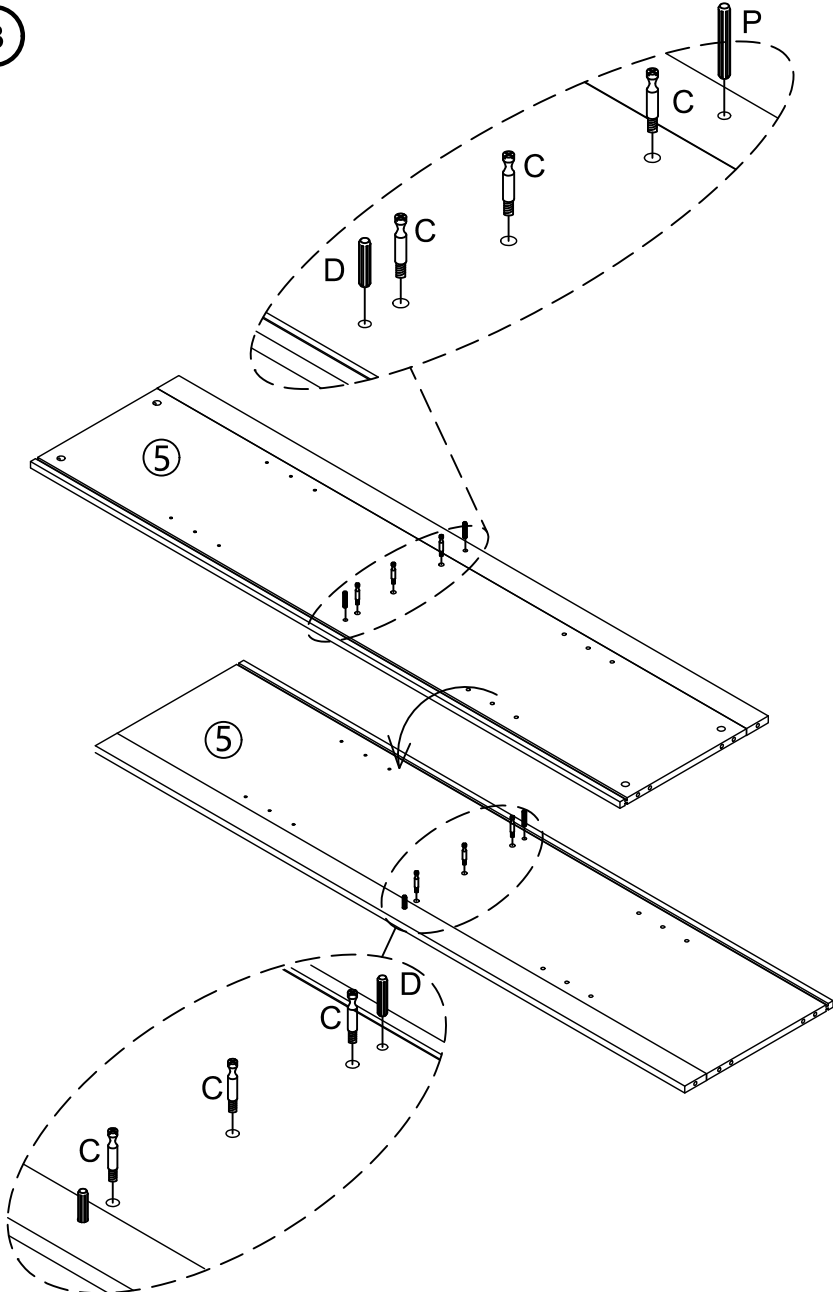
1



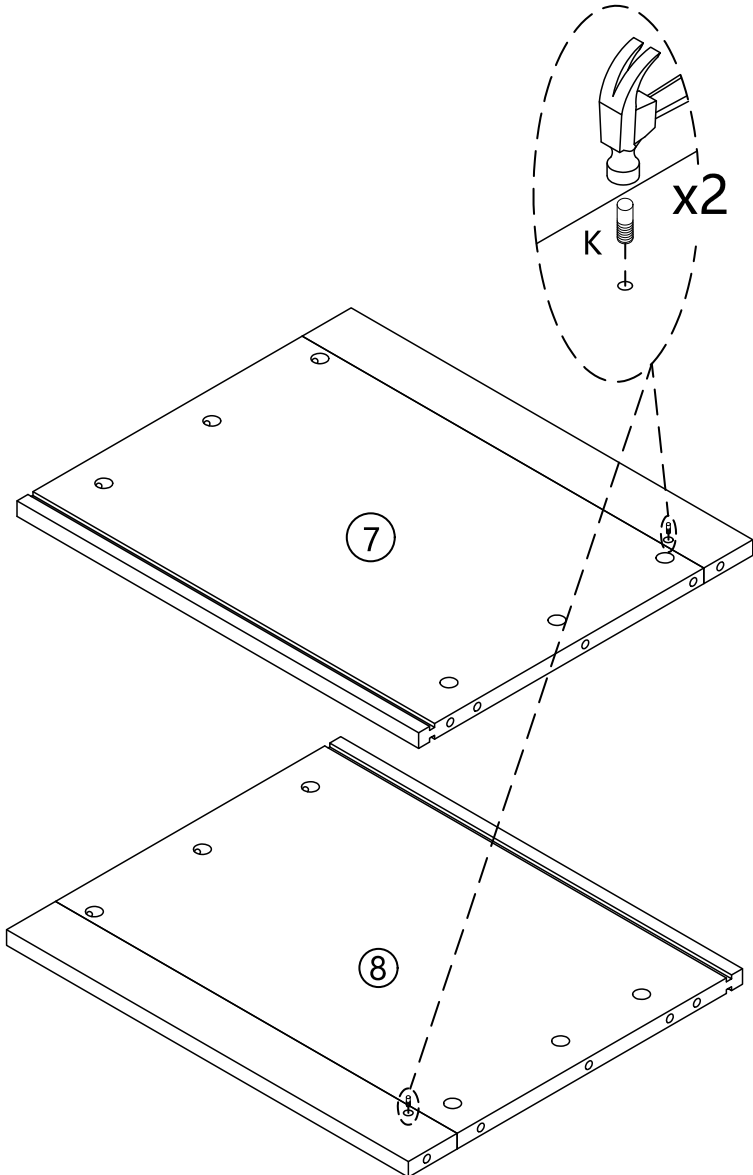
2



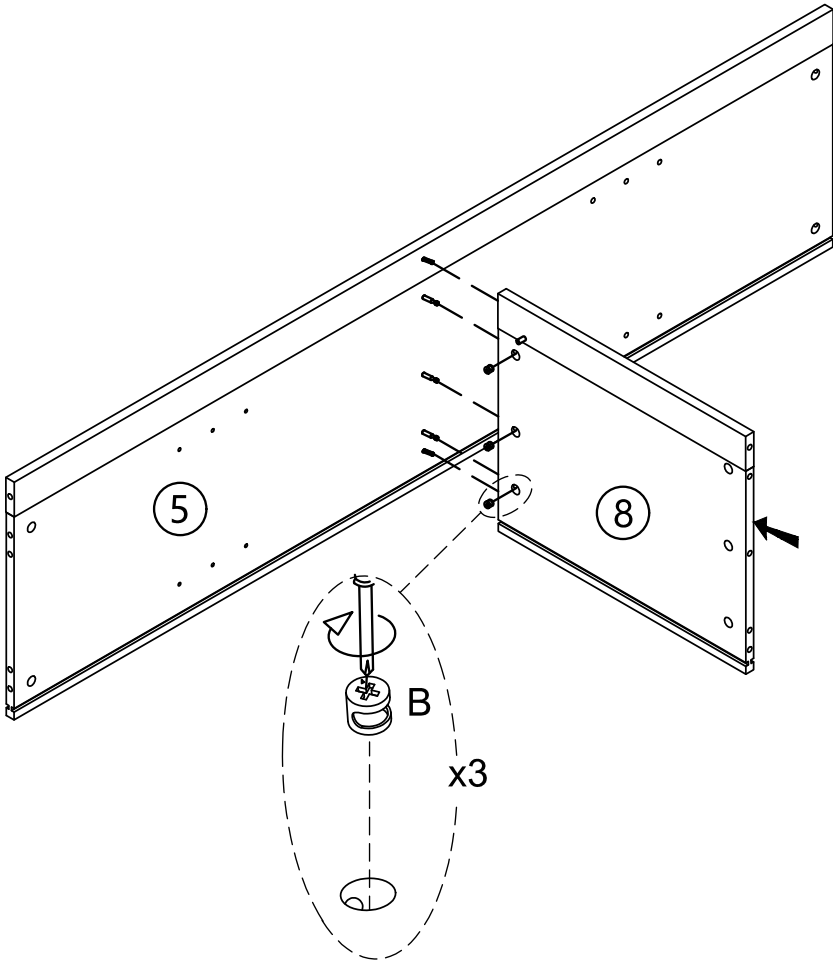
3



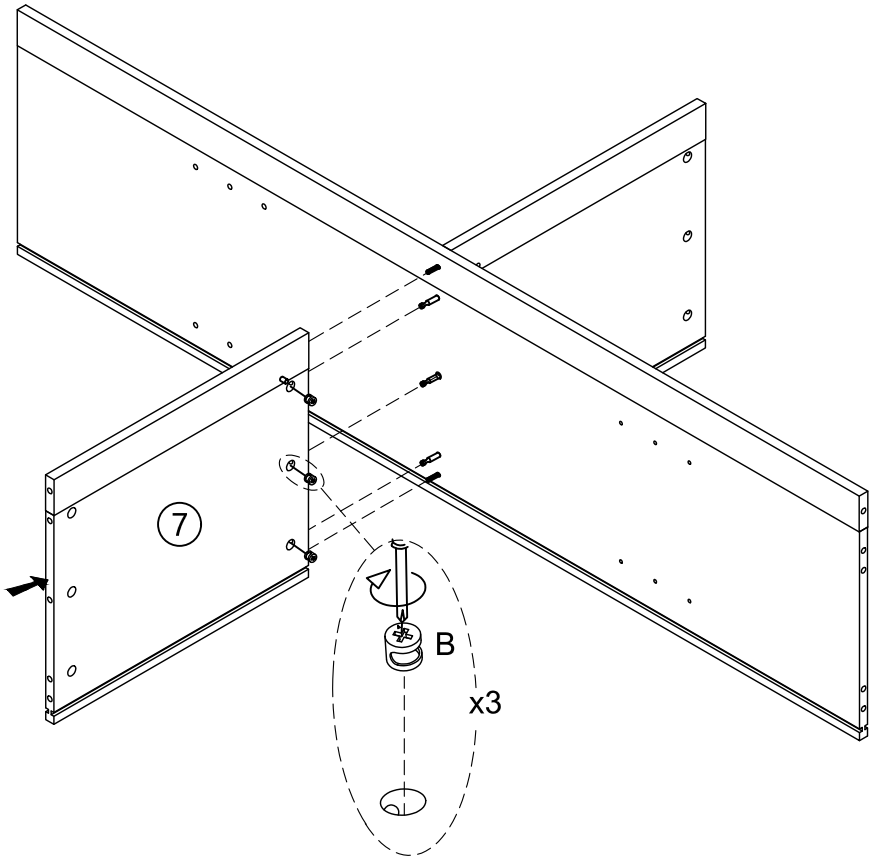
4



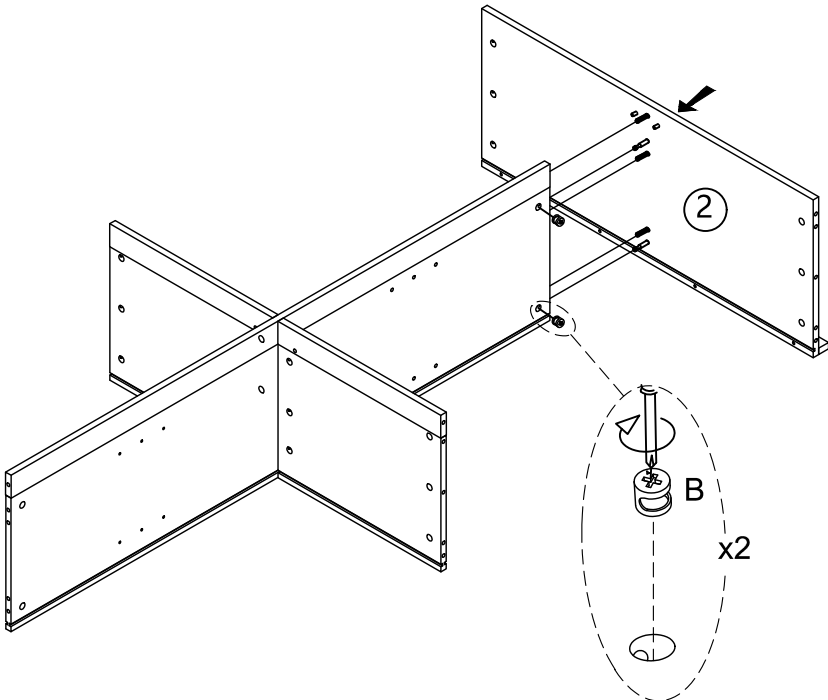
5



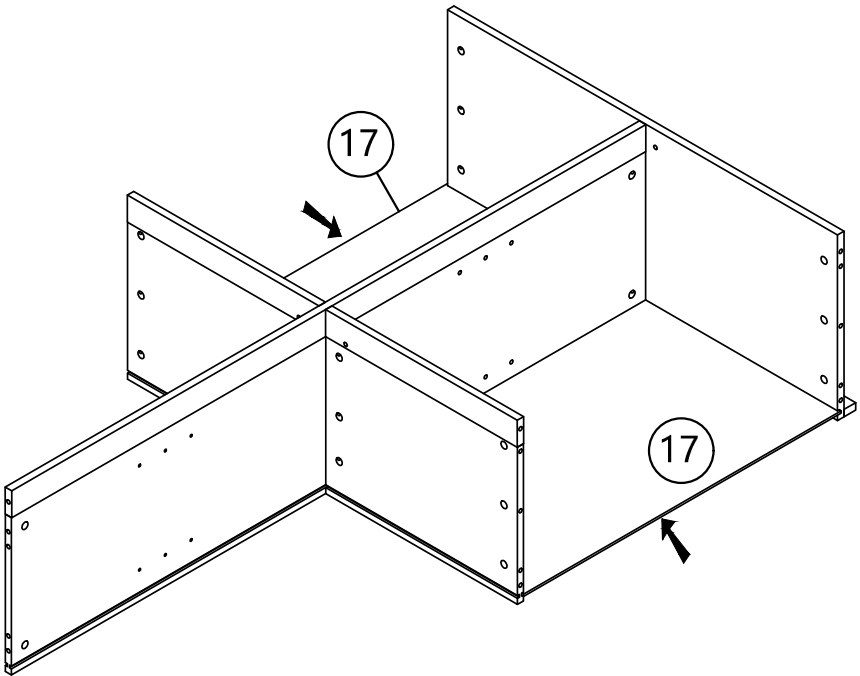
6



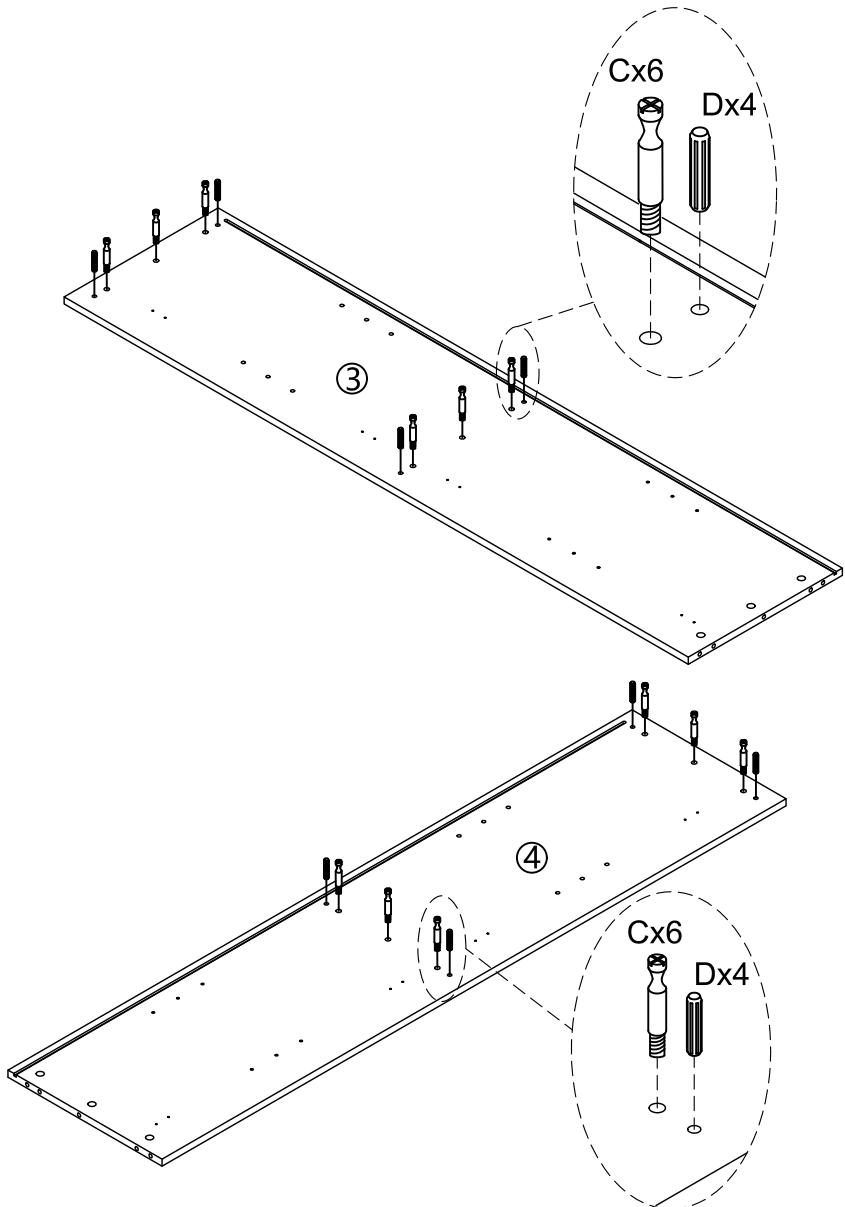
7



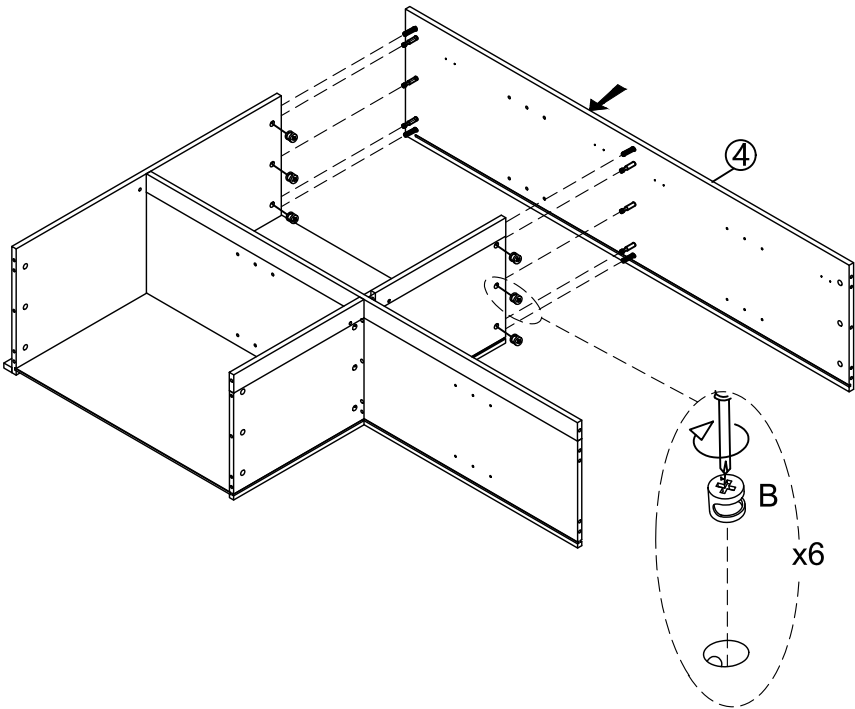
8



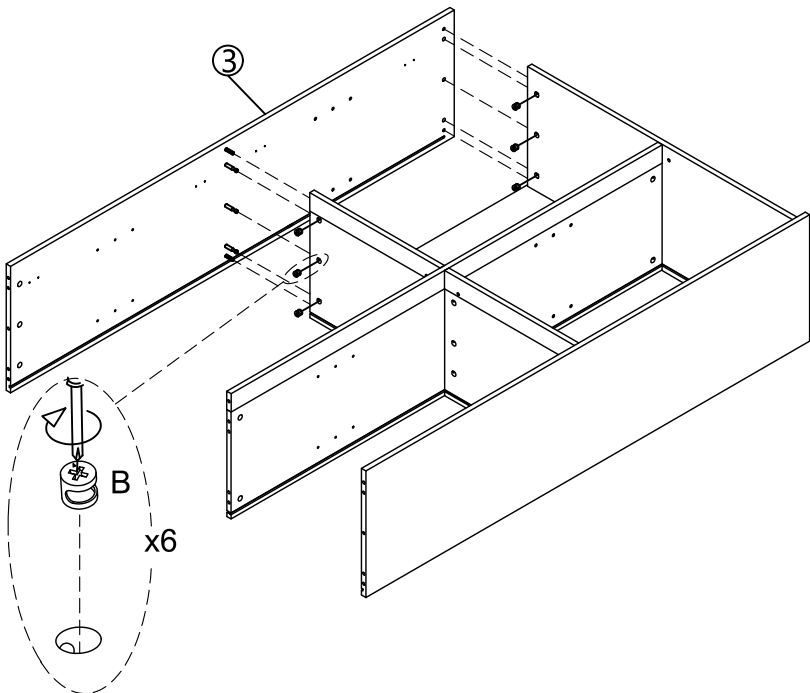
9



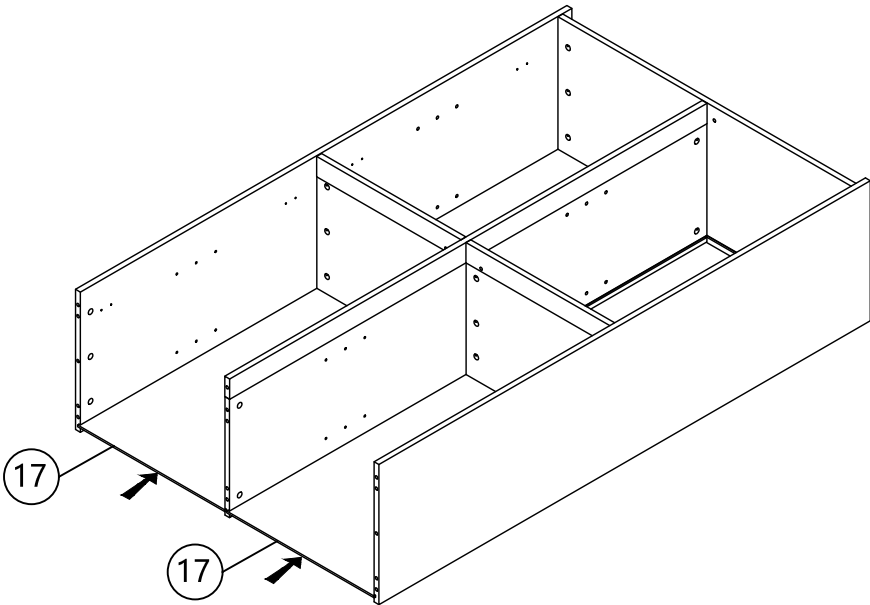
10



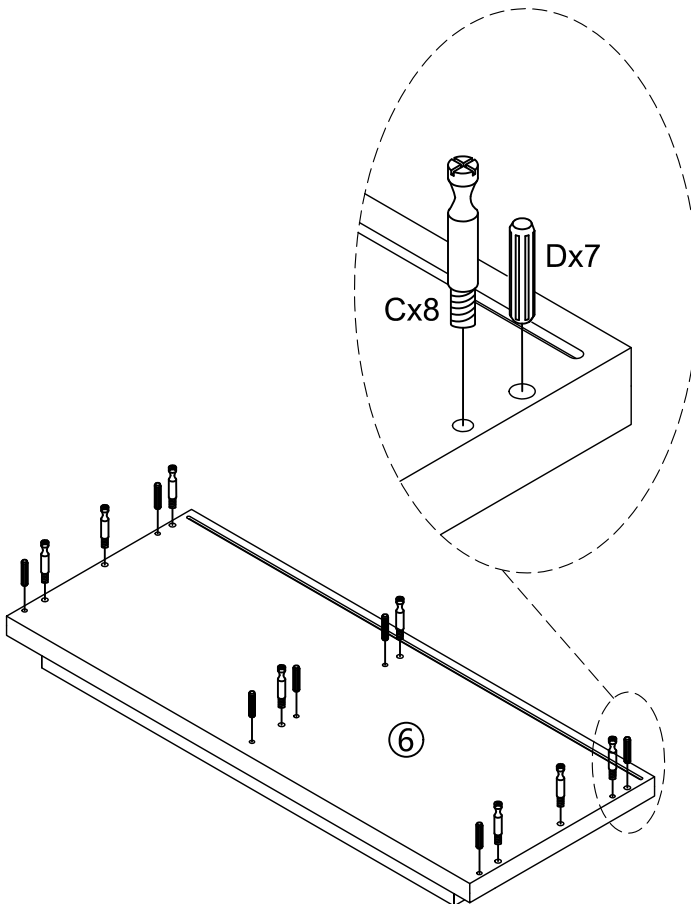
11



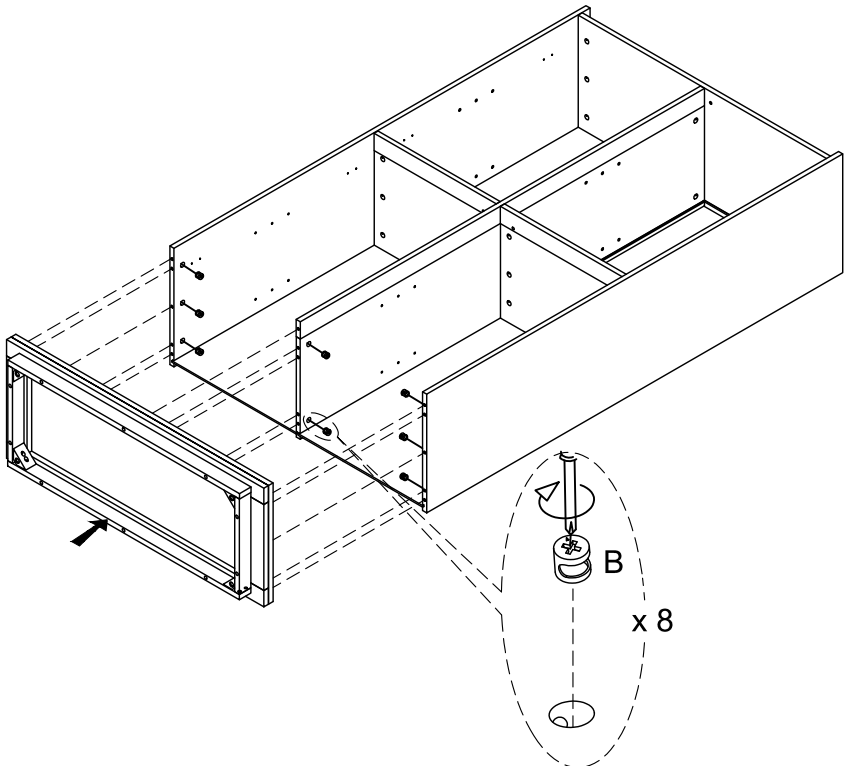
12



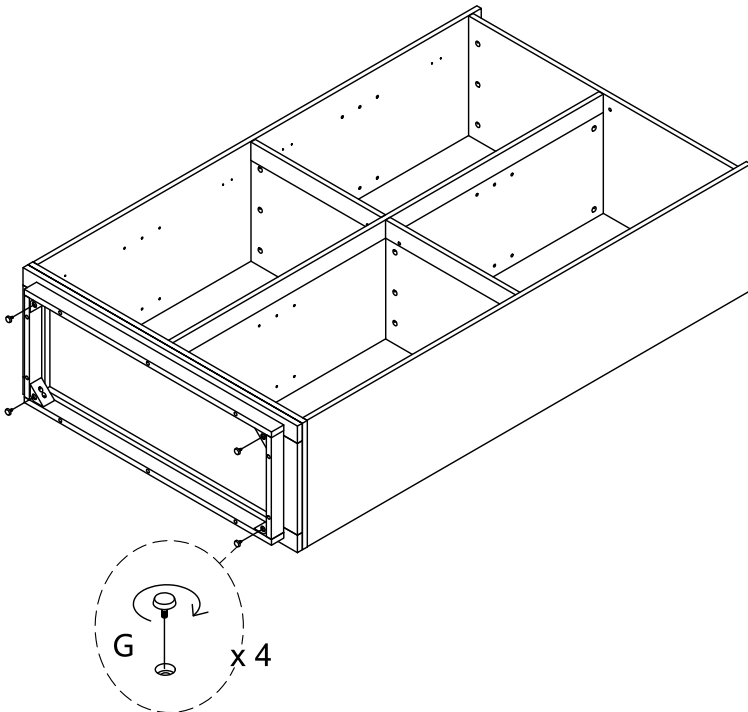
13



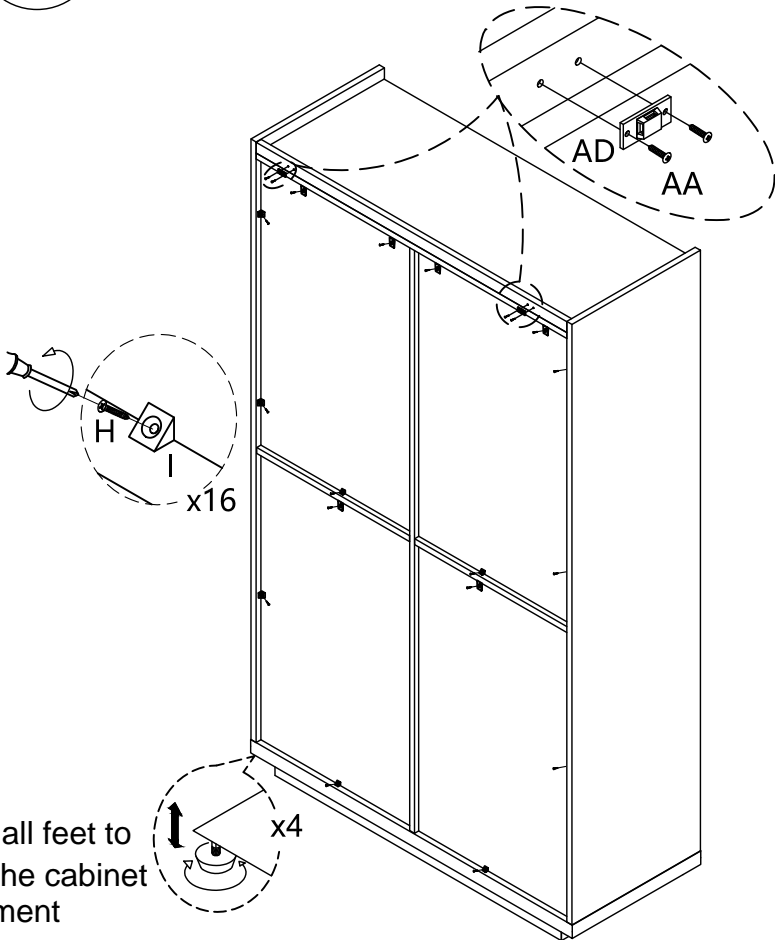
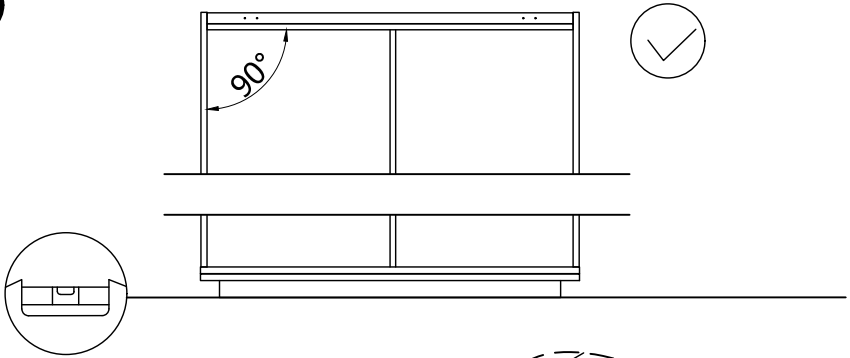
14



15

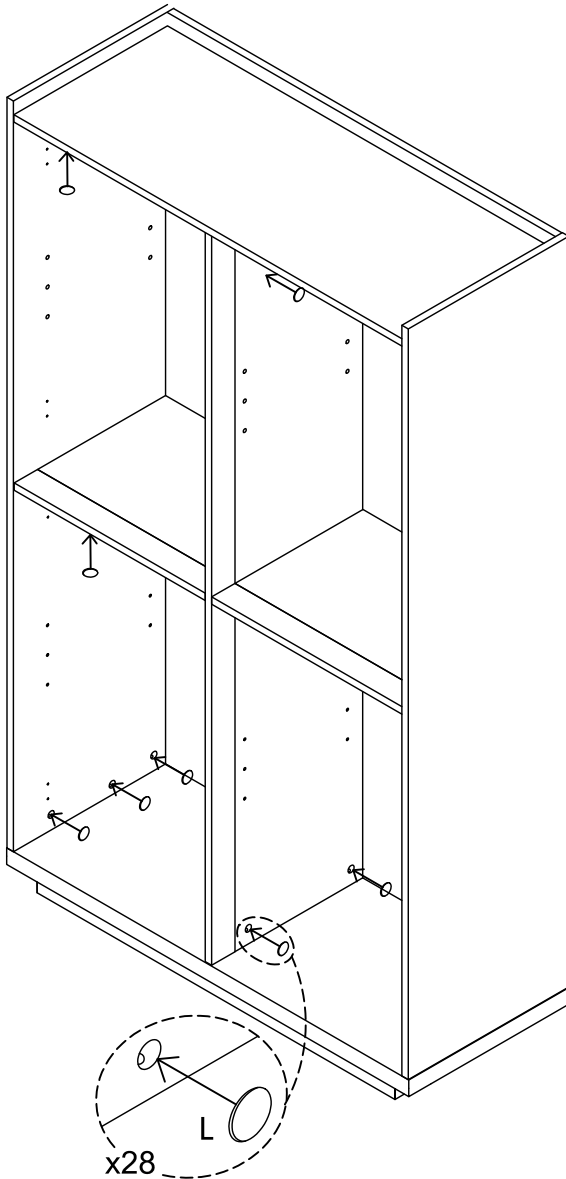


16

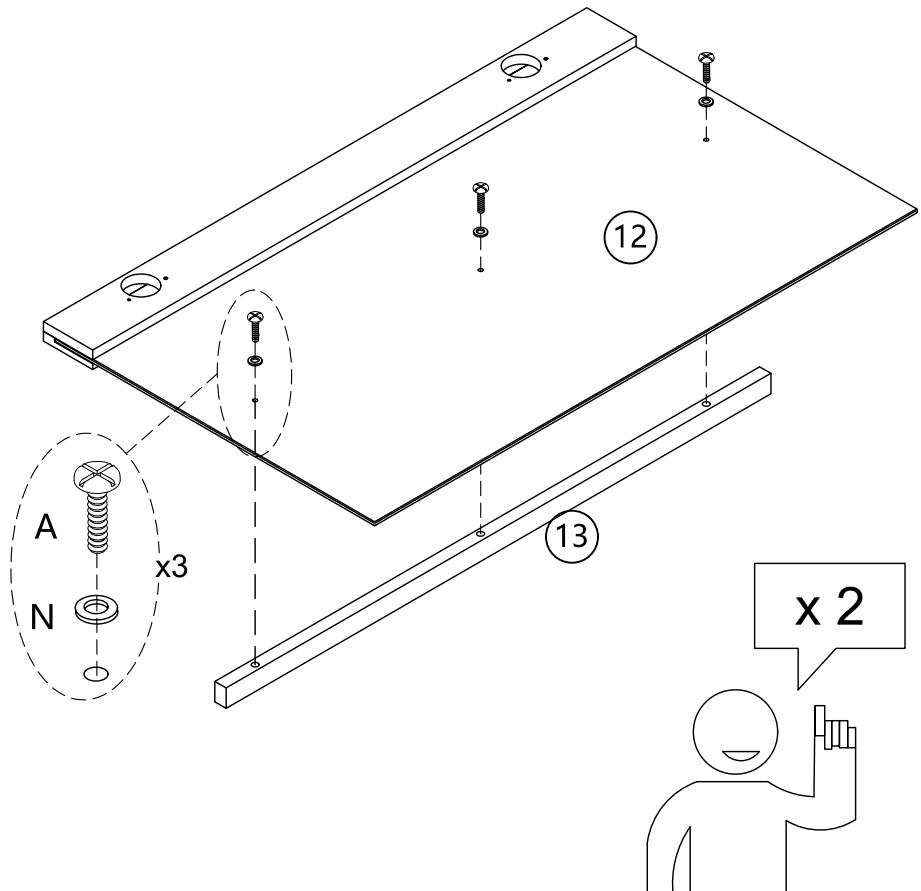


Adjust all feet to
make the cabinet
alignment

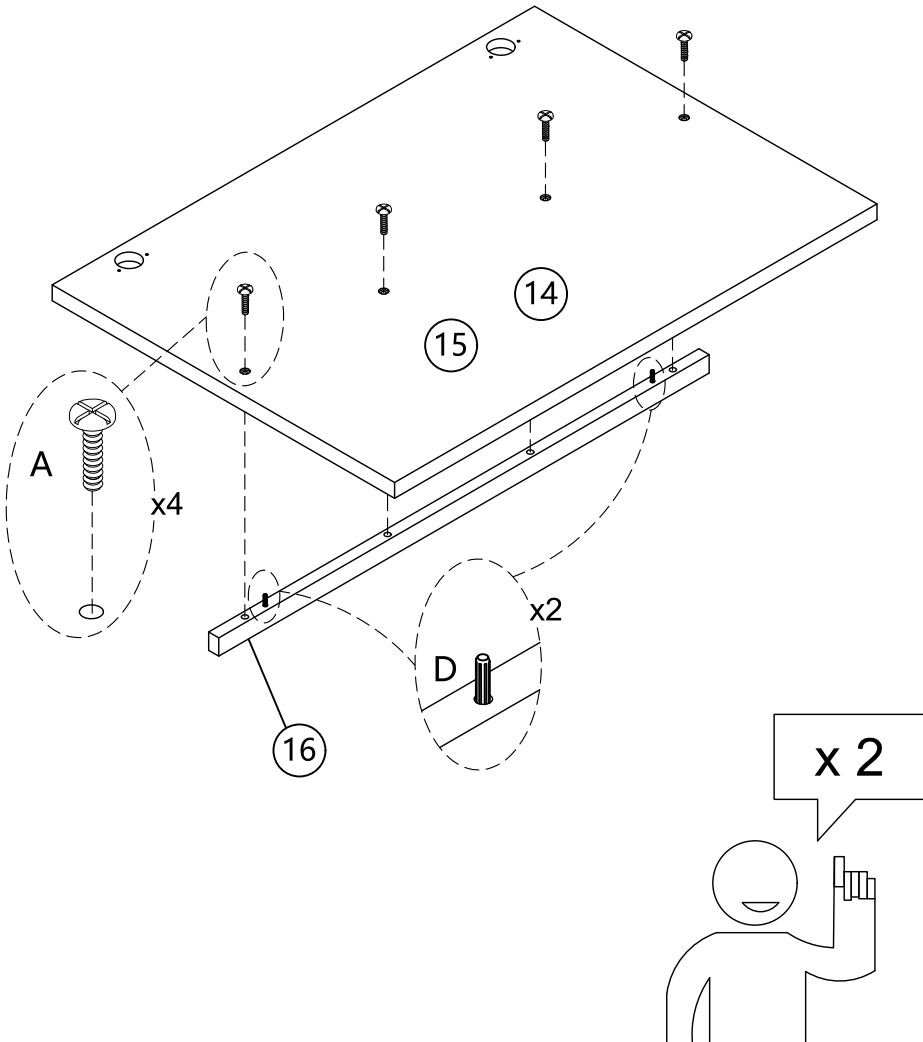
17



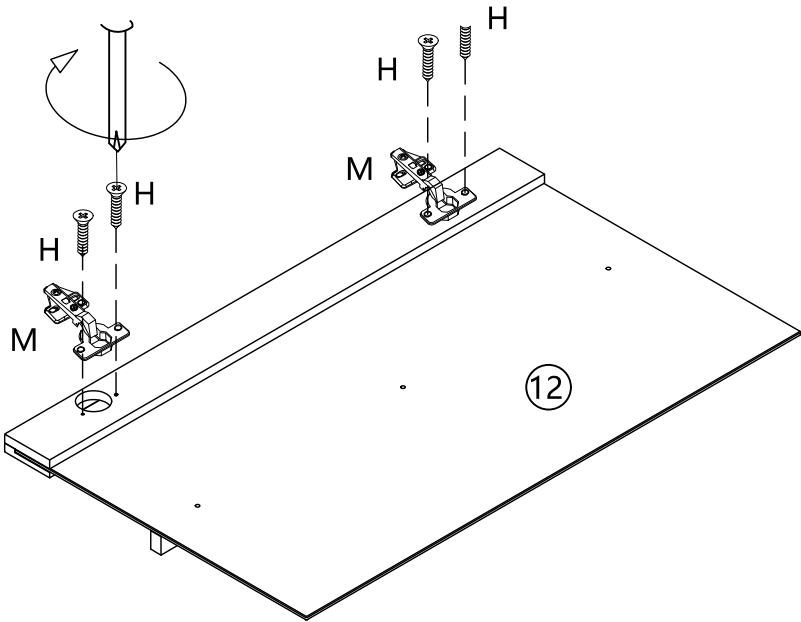
18



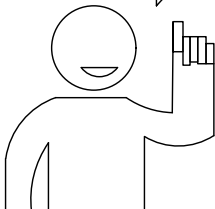
19



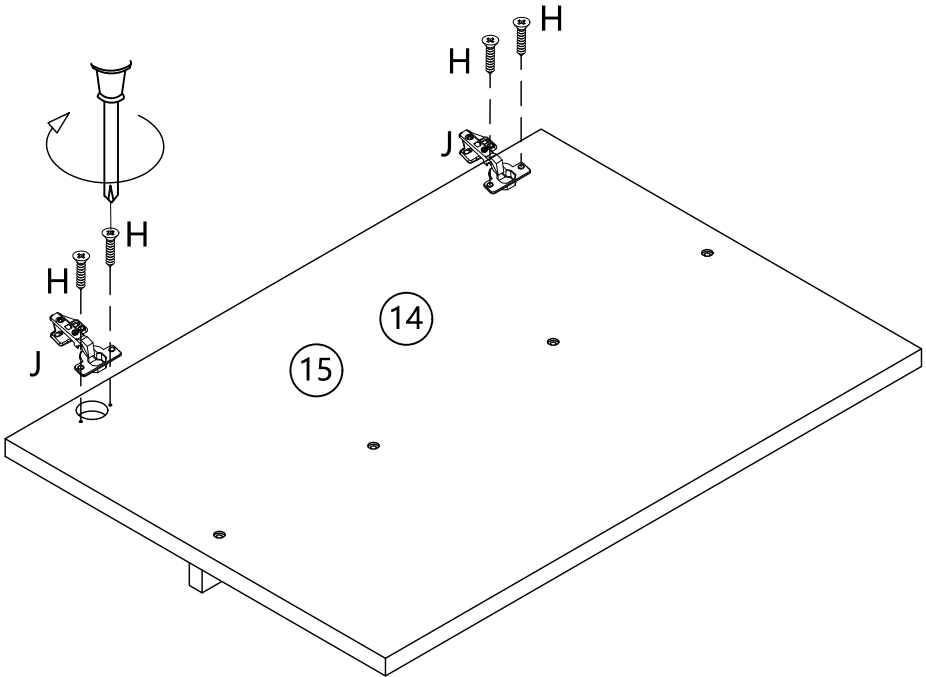
20



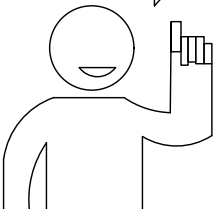
x 2



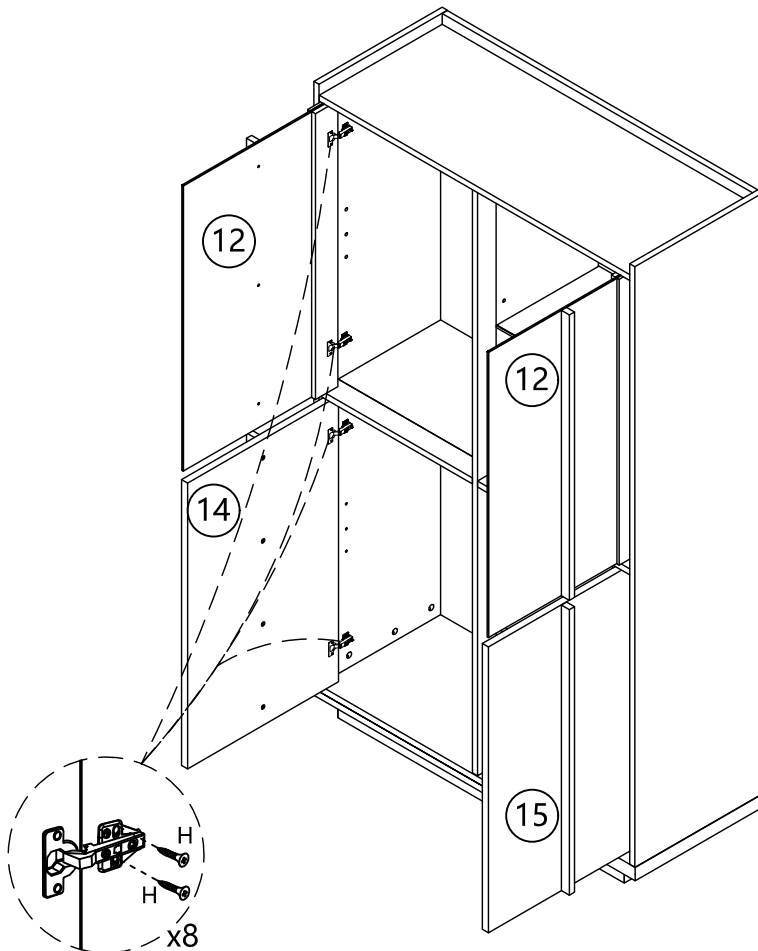
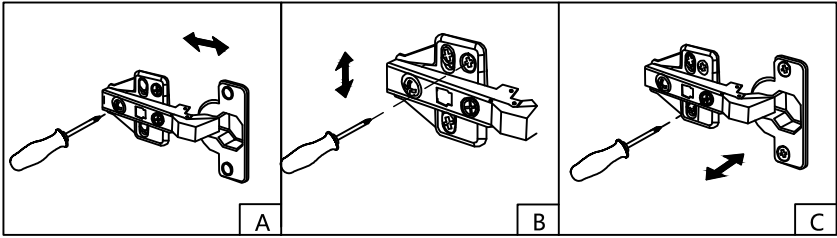
21

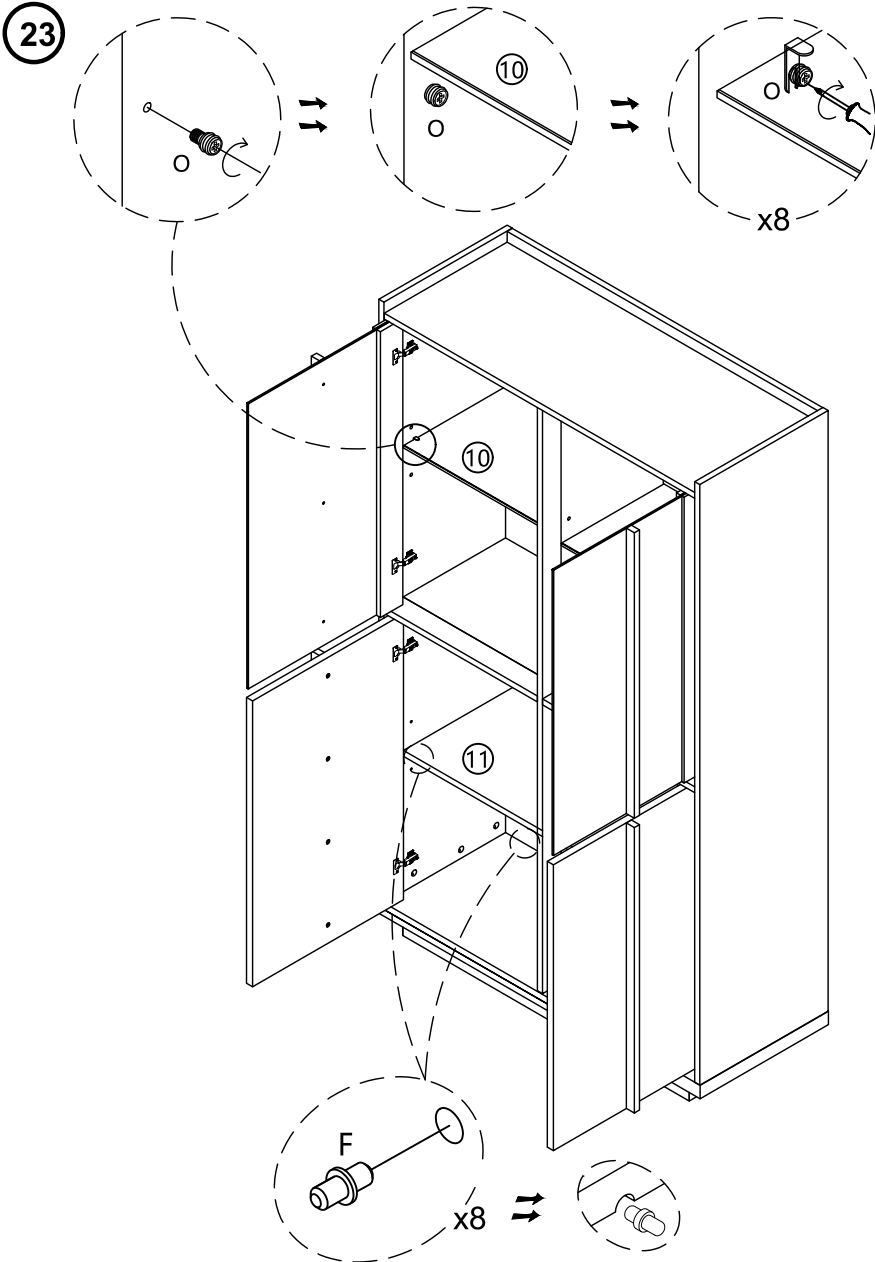


x 2

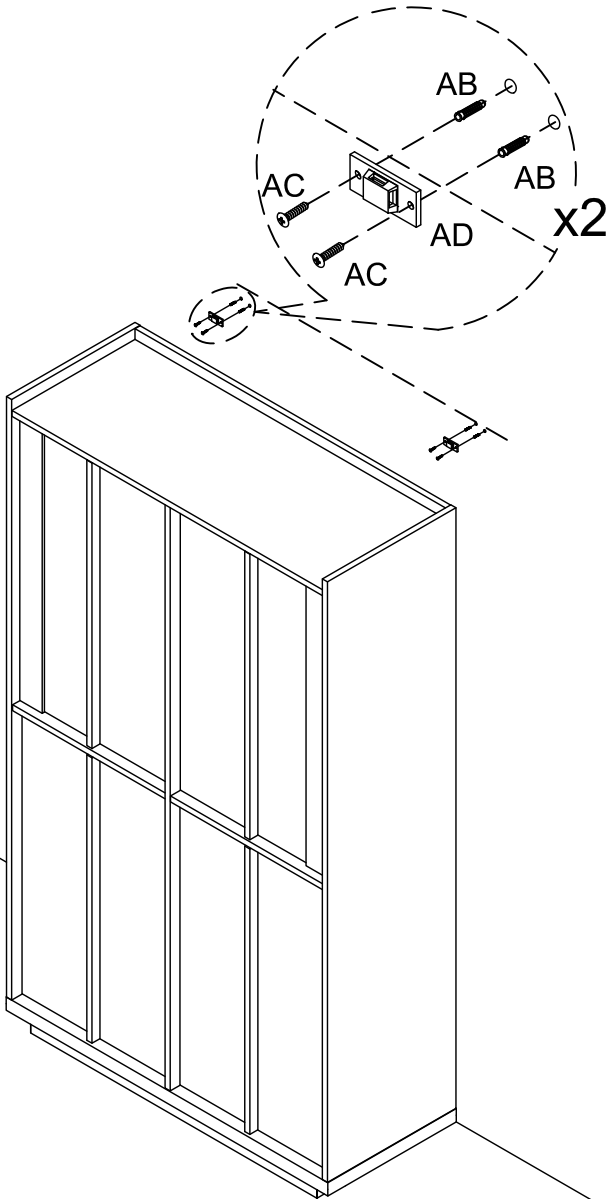


22

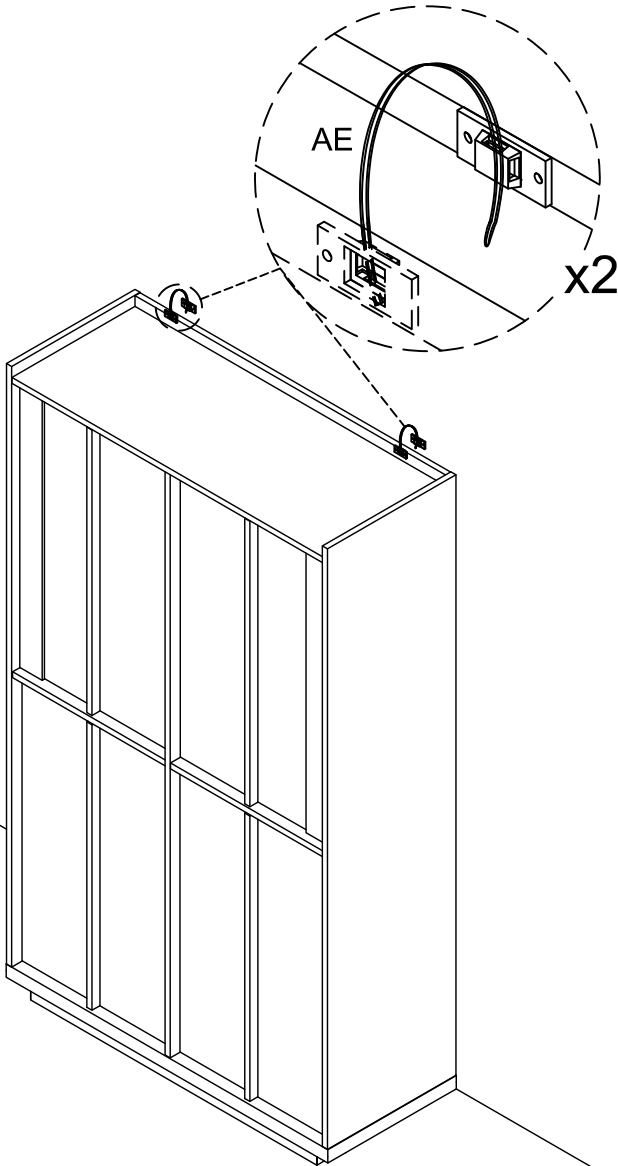


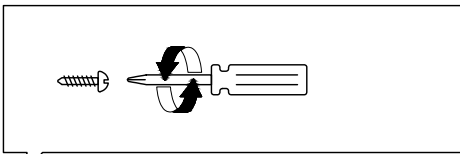
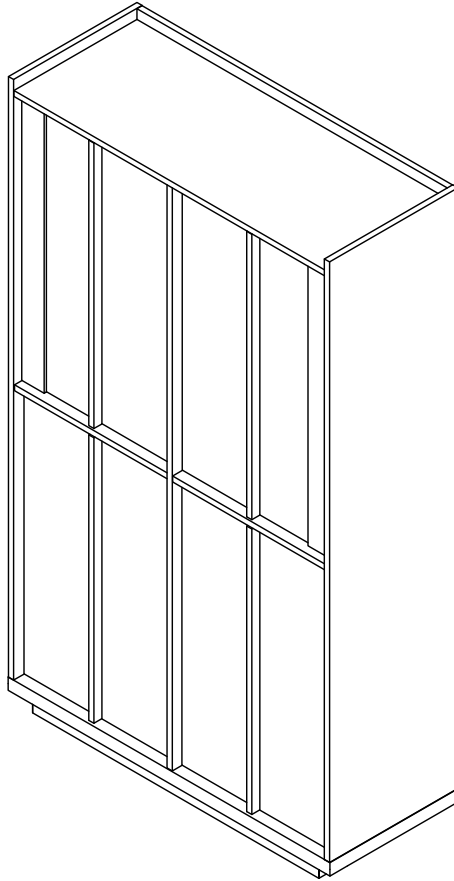


24



25







THAT'S ALL FOLKS

Share your style!

#KaveHome

