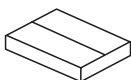


Kave® Cares



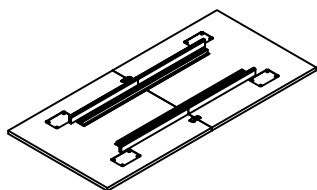
15 min



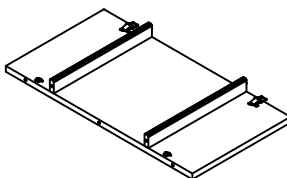
x1



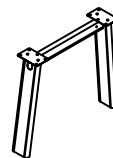
x2



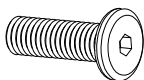
A x1



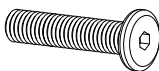
B x1



C x2



D x16

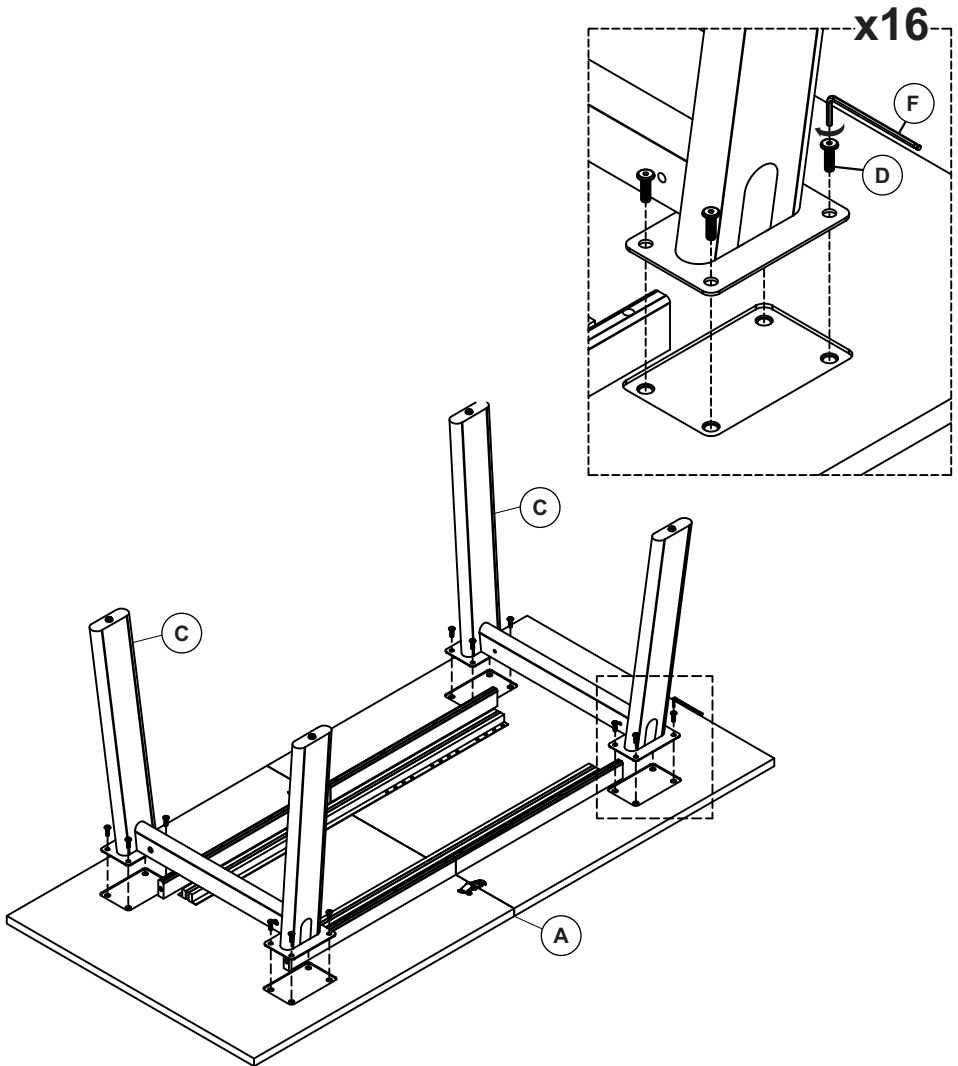


E x4

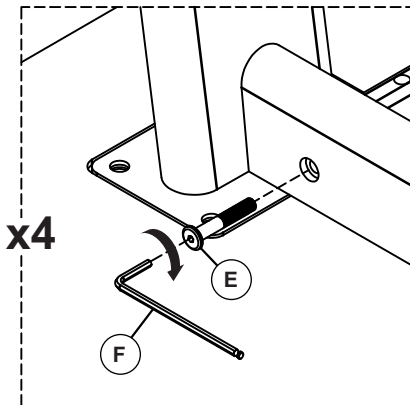
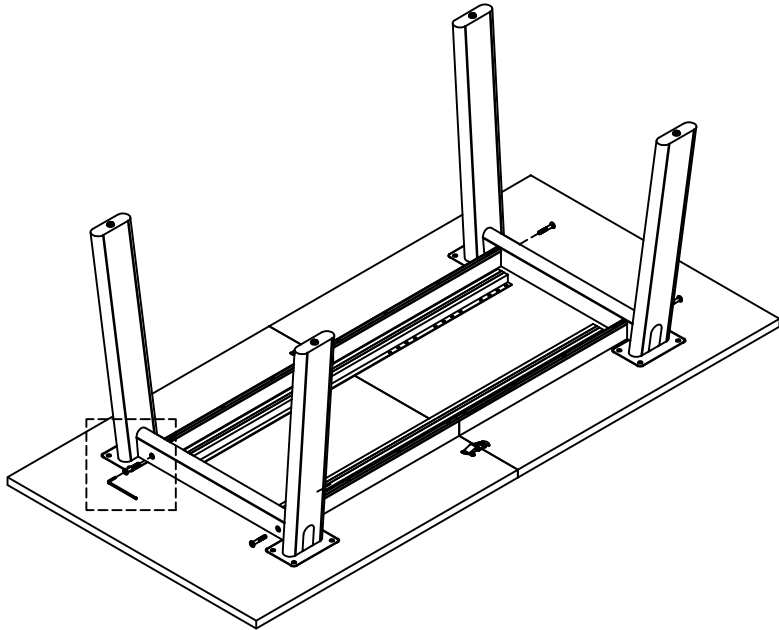


F x1

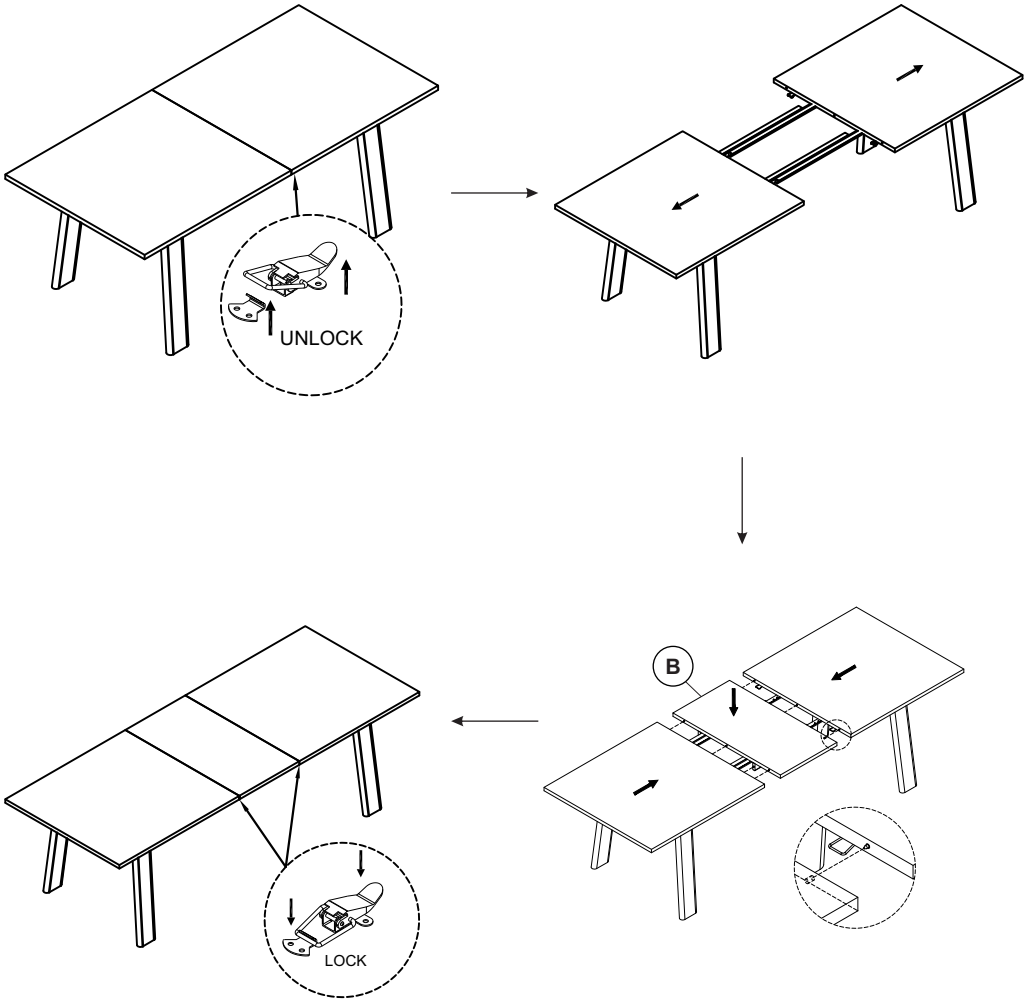
1

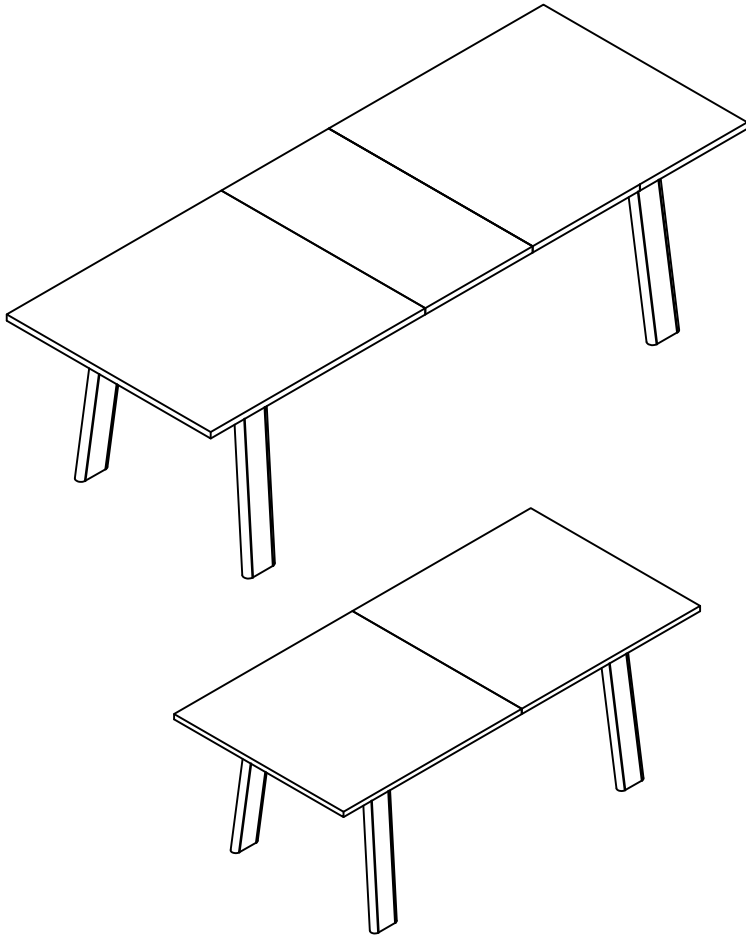


2



3







**THAT'S ALL FOLKS**

Share your style!

#KaveHome

