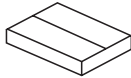


Kave® Cares



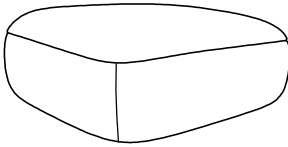
15 min



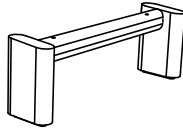
x1



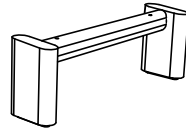
x2



**A** x1



**B** x1



**C** x1



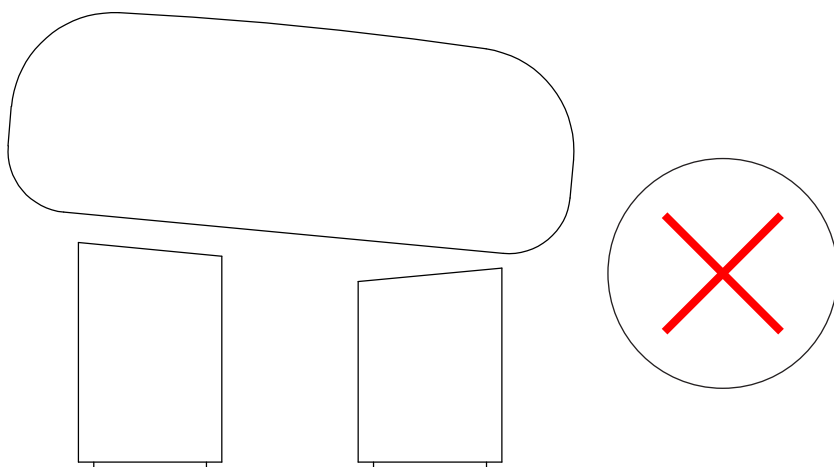
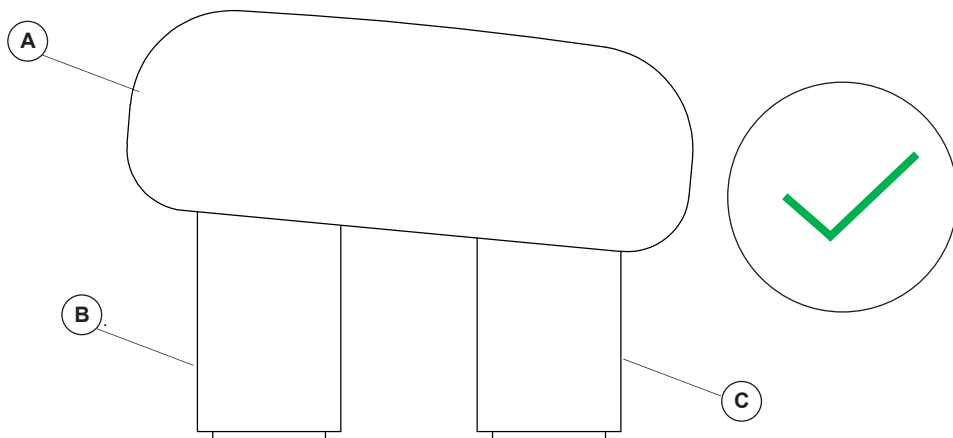
**D** x4  
M8x75mm

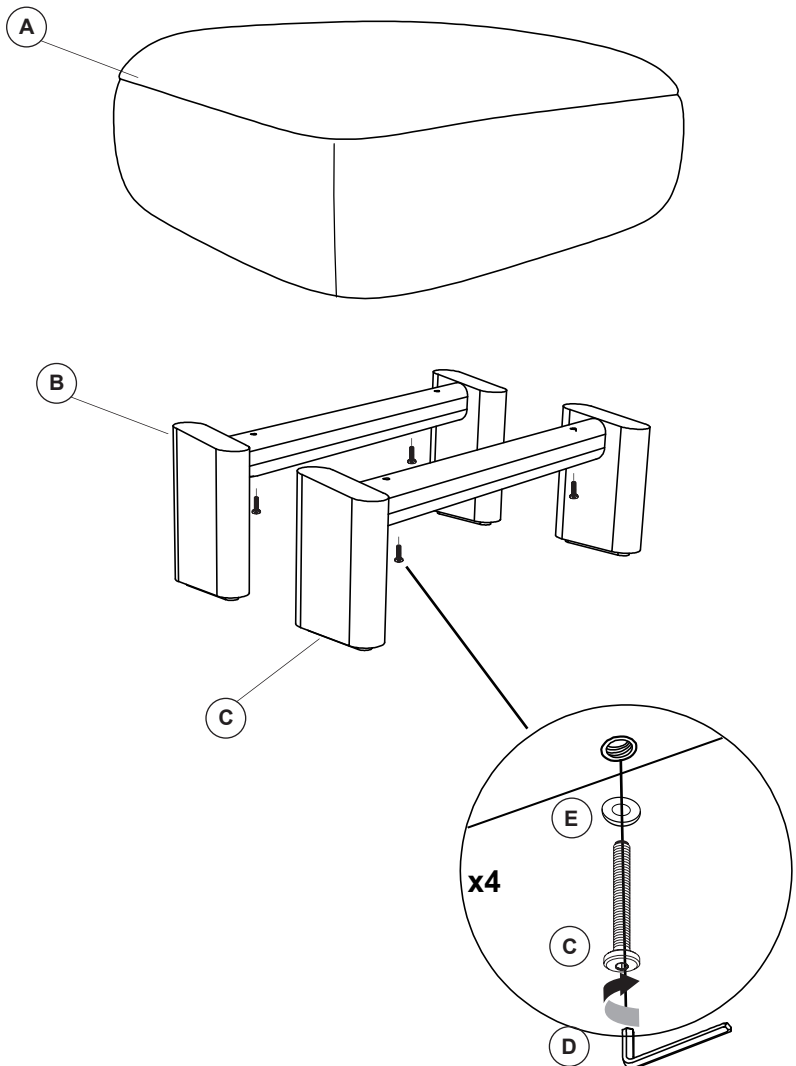


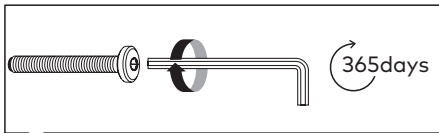
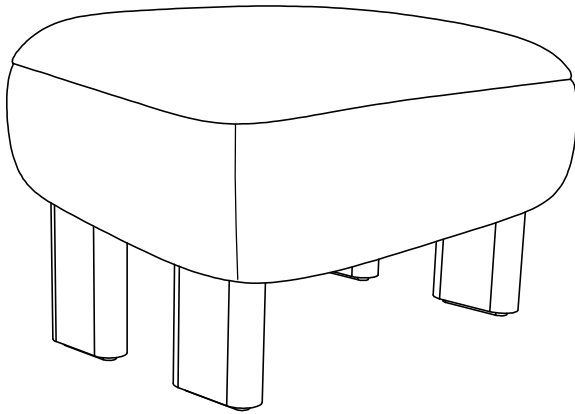
**E**x1  
M5x1



**F**x4  
Ø17x2mm











**THAT'S ALL FOLKS**

Share your style!

#KaveHome

