
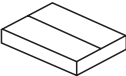




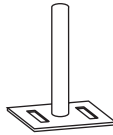


Kave® Cares

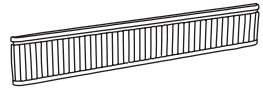
			
20 min	x1	x2	x1



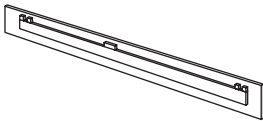
A x1



B x4



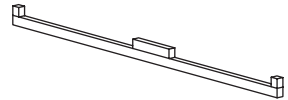
C x1



D x2



E x2



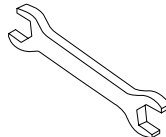
F x1



G x2



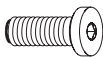
H x8



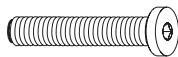
I x1



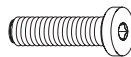
J x14



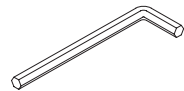
K x8
6x20mm



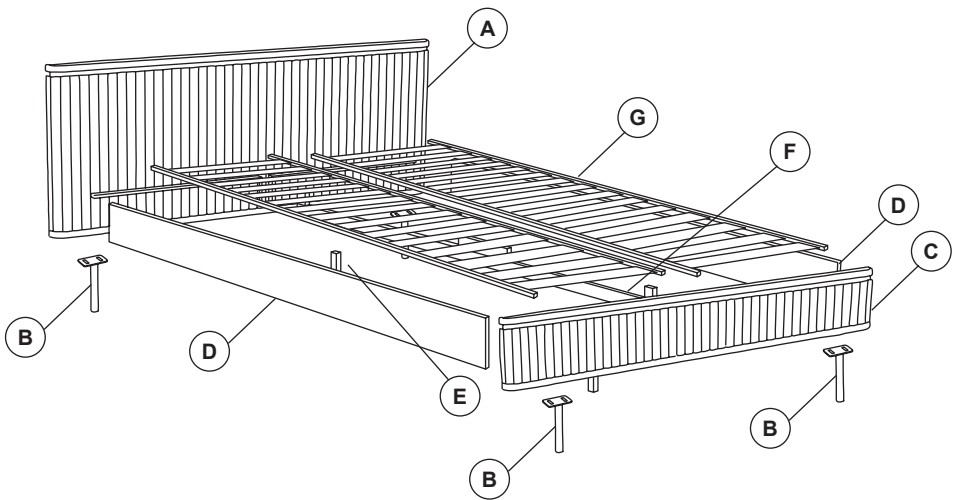
L x2
6x60mm



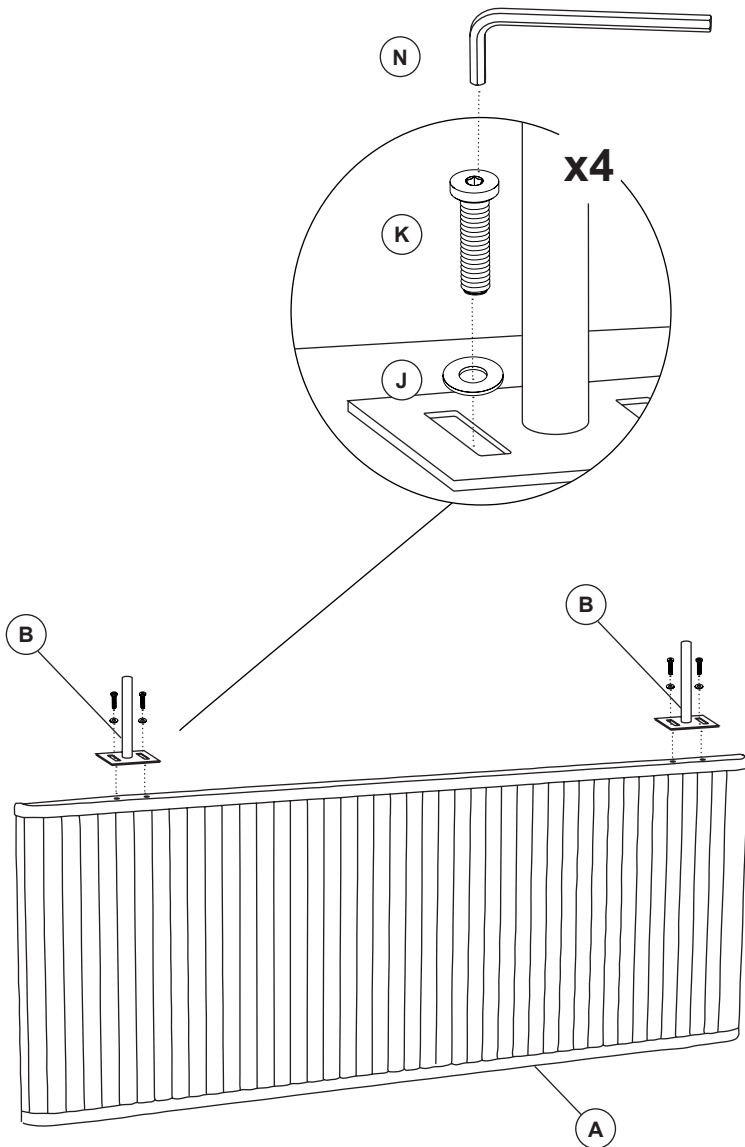
M x6
6x40mm



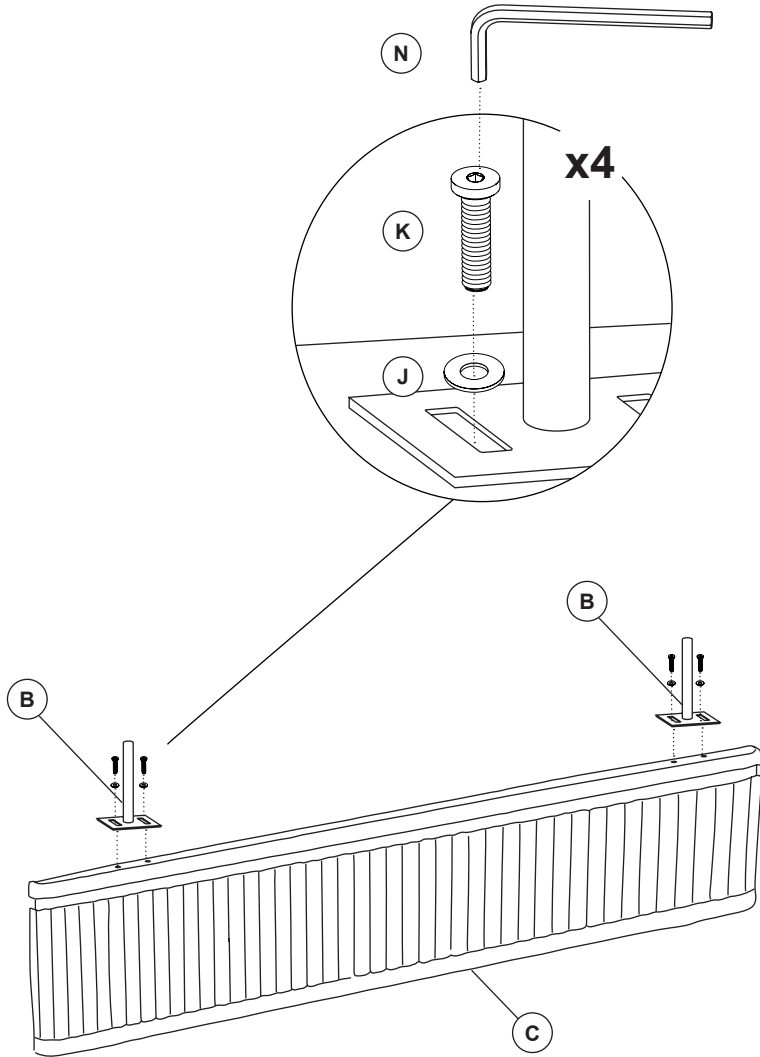
N x1



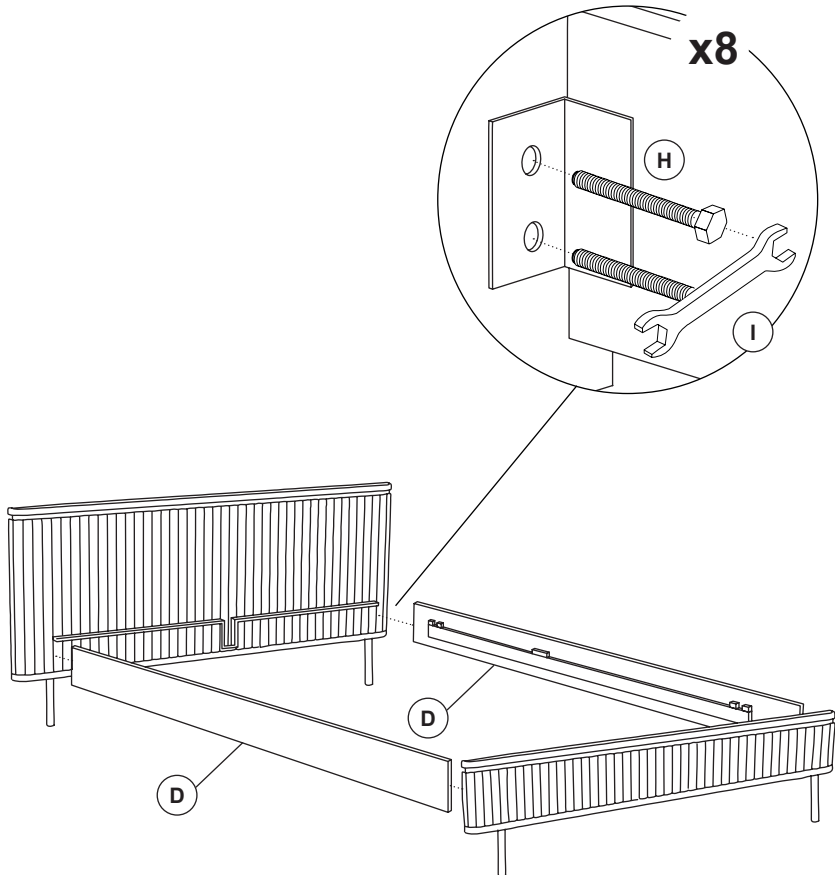
1



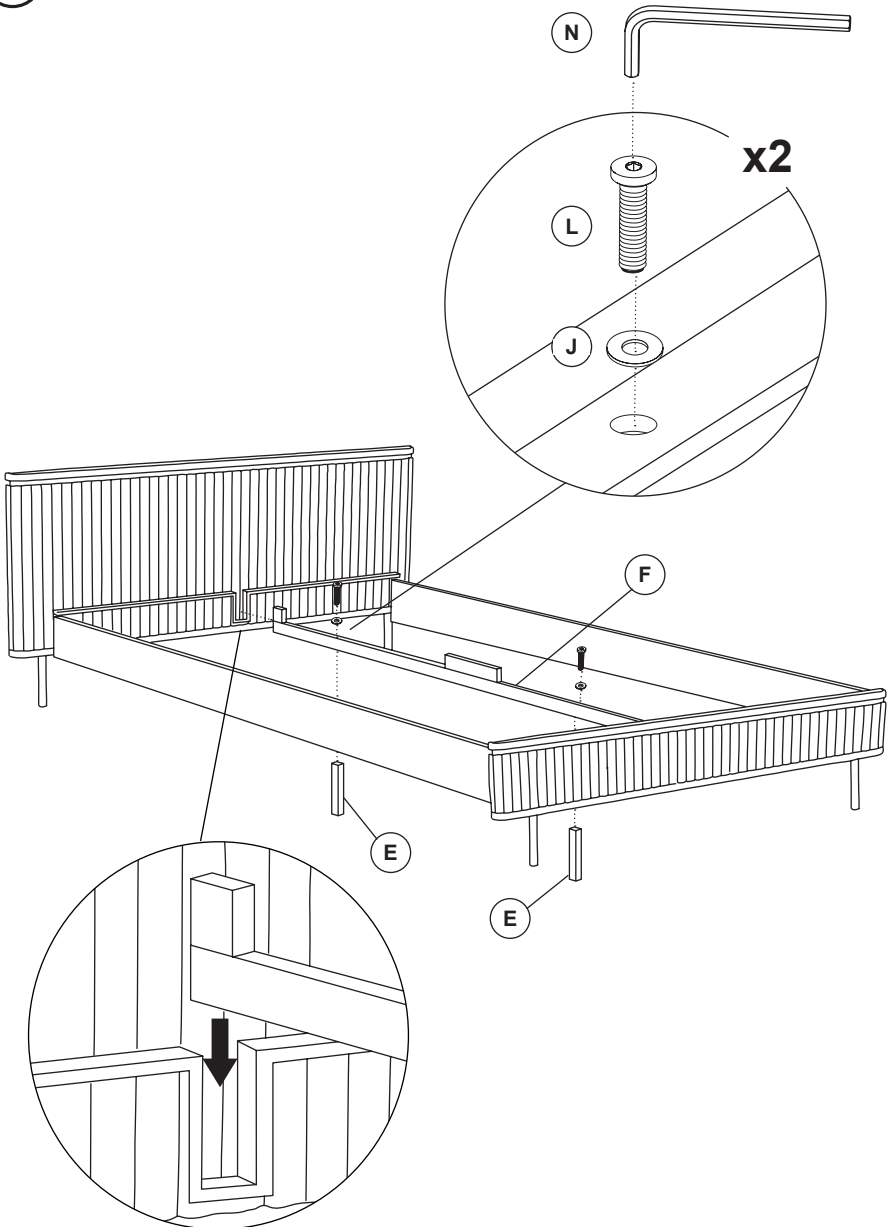
2



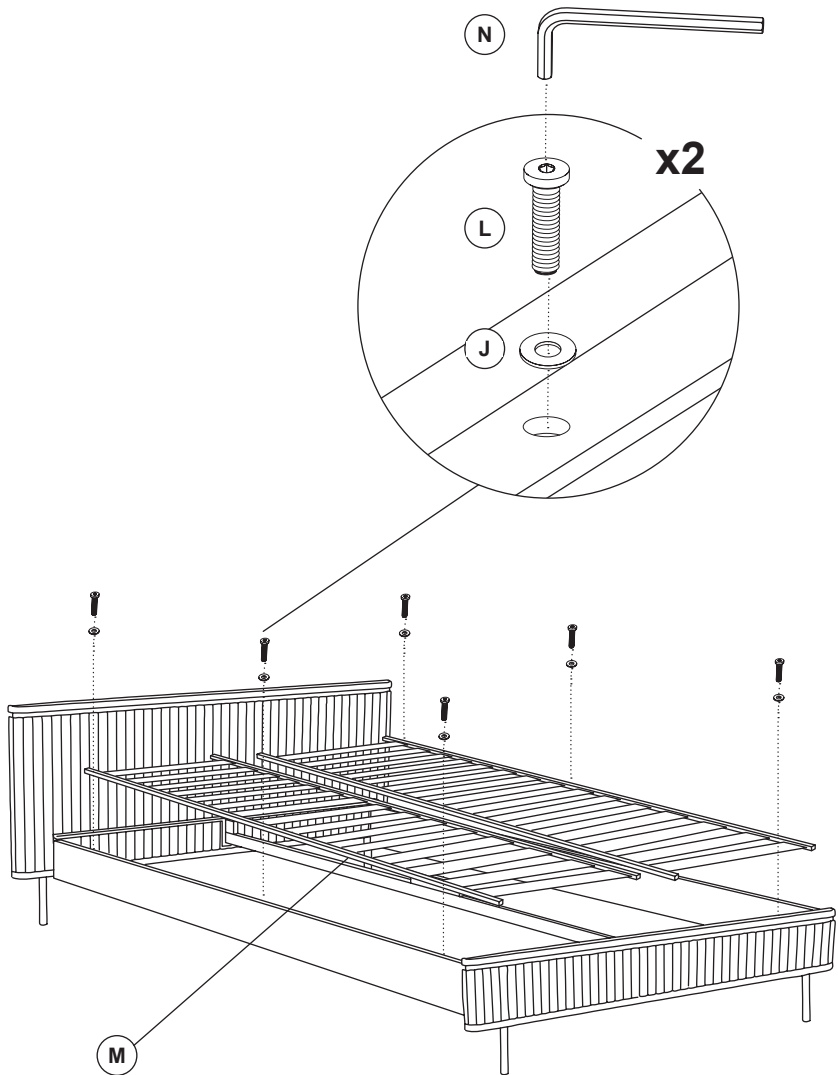
3

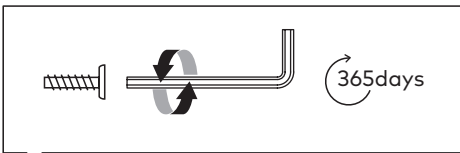
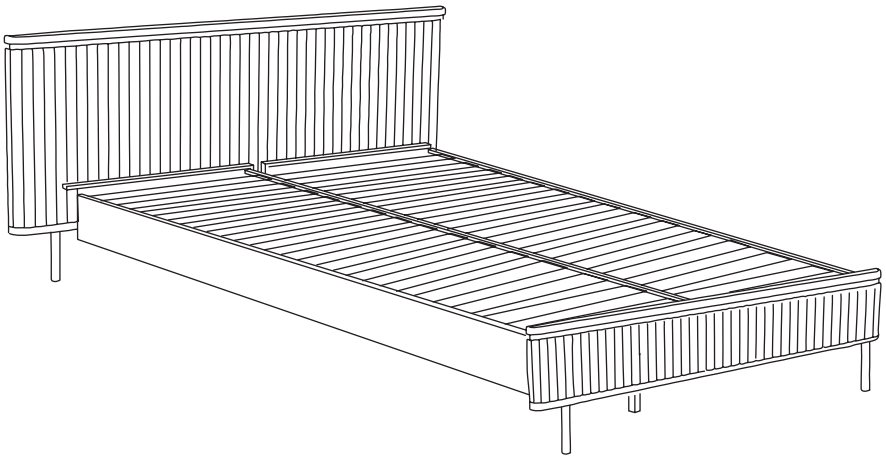


4



5







THAT'S ALL FOLKS

Share your style!

#KaveHome

