

Kave® Cares



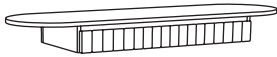
20 min



x1



x2



**A** x1



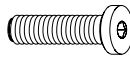
**B** x1



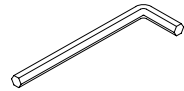
**C** x2



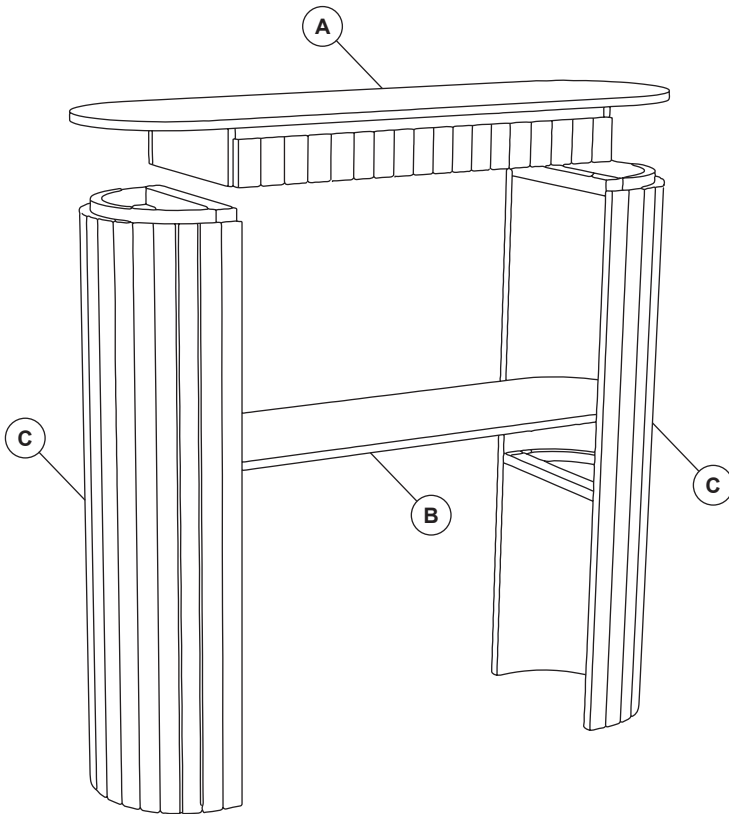
**D** x8  
8x22mm



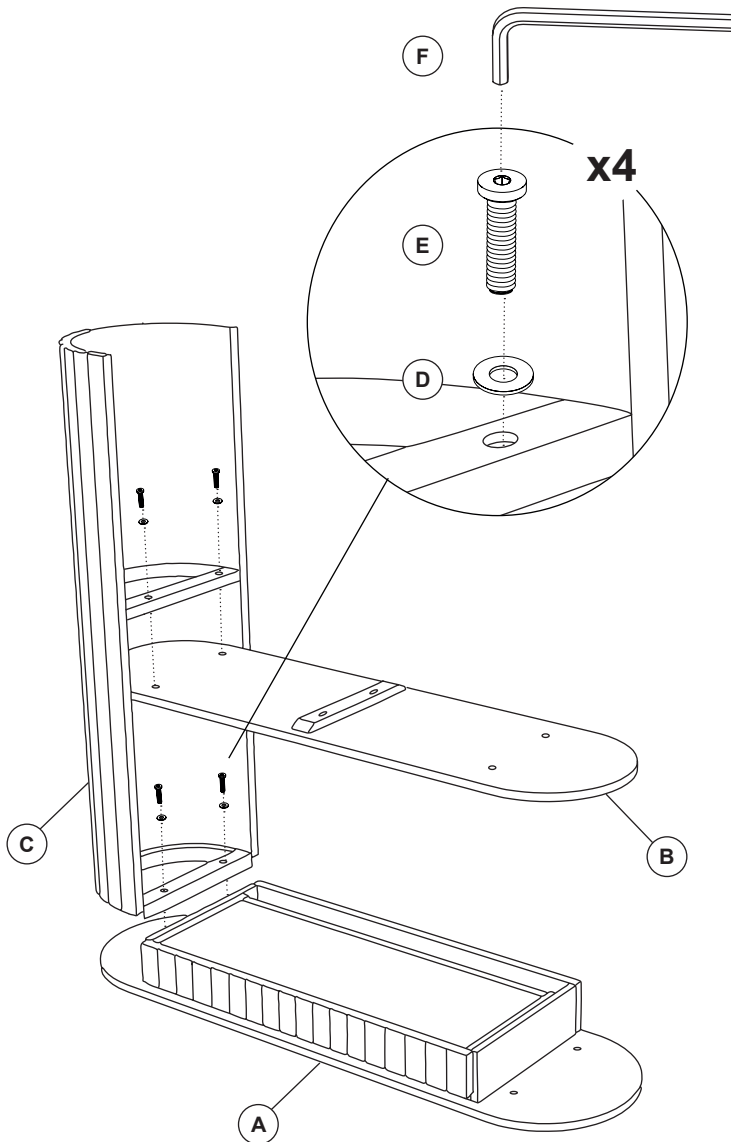
**E** x8  
8x40mm



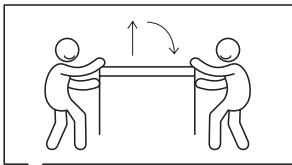
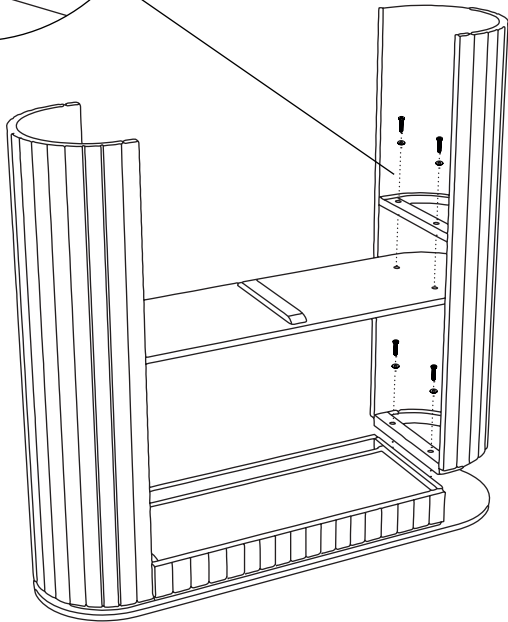
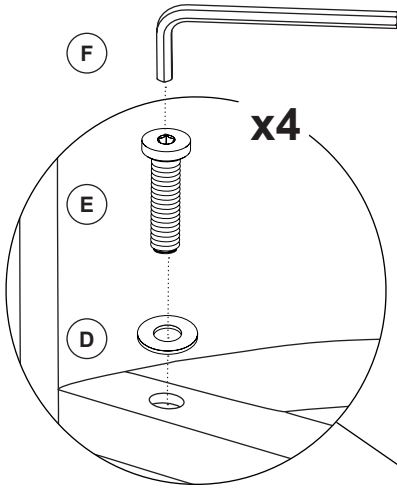
**F** x1

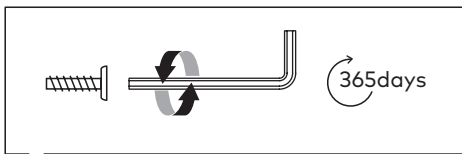
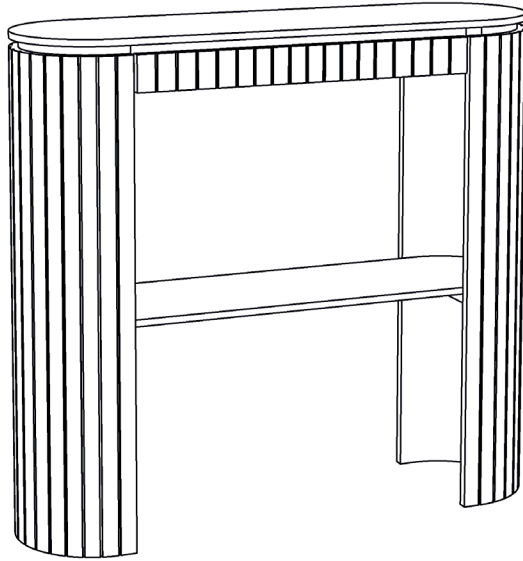


1



2







**THAT'S ALL FOLKS**

Share your style!

**#KaveHome**

