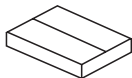




Kave® Cares



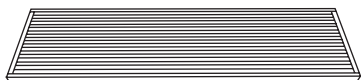
15 min



x1



x2



**A** x1



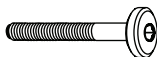
**B** x2



**C** x1



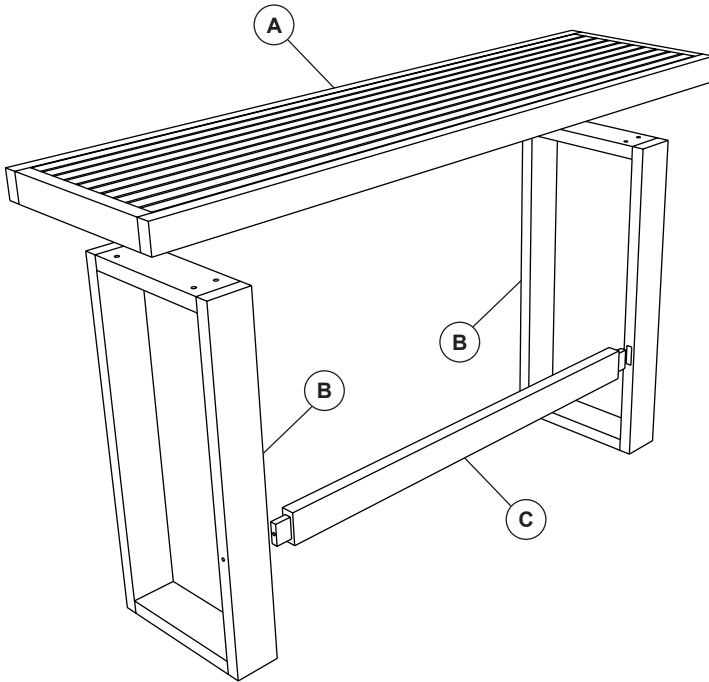
**D** x2



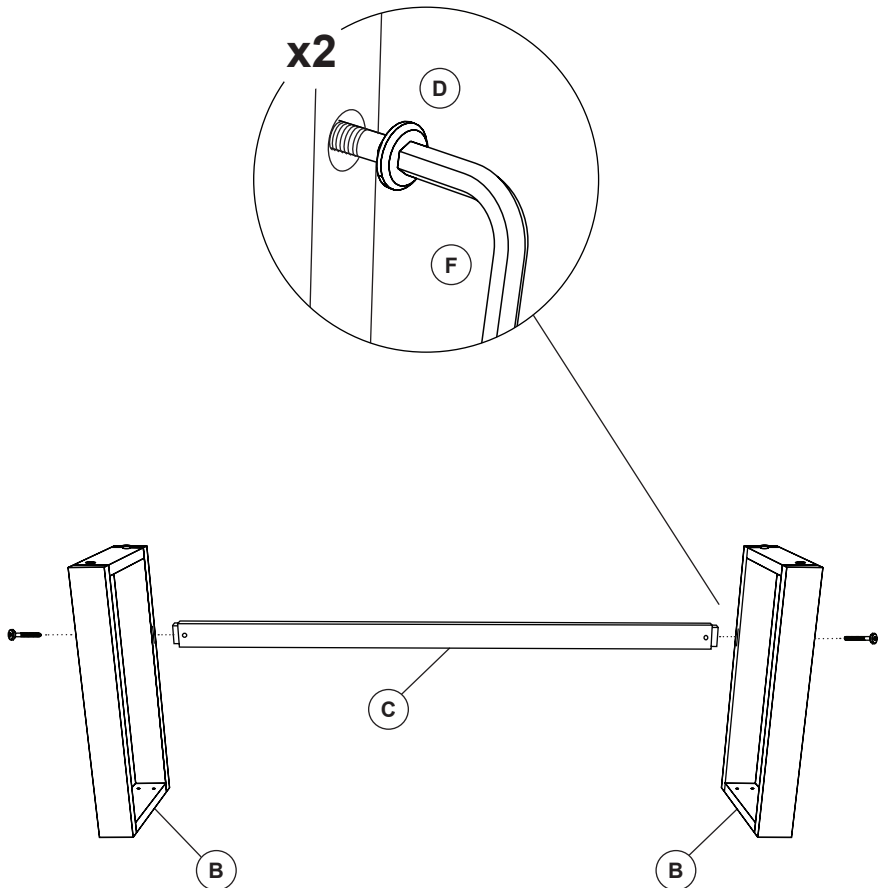
**E** x8



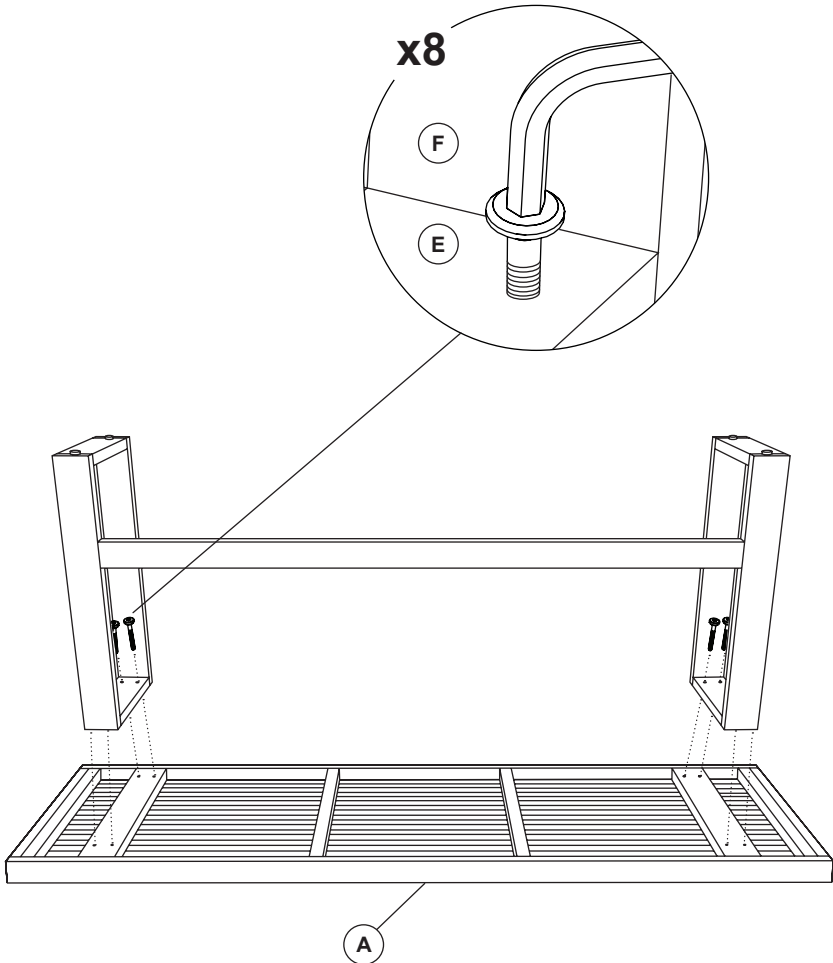
**F** x1

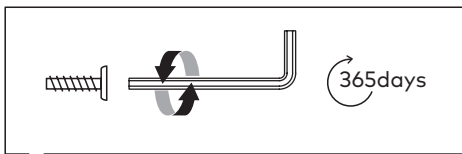
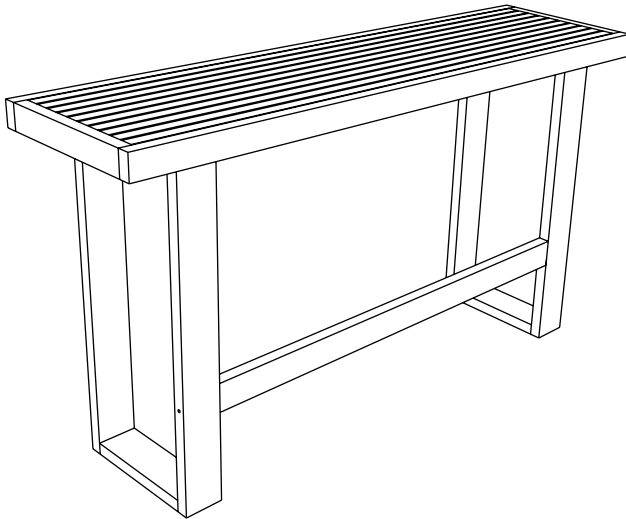


1



2







**THAT'S ALL FOLKS**

Share your style!

#KaveHome

