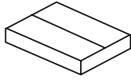




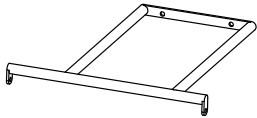
15 min



x1



x2



A x1



B x1



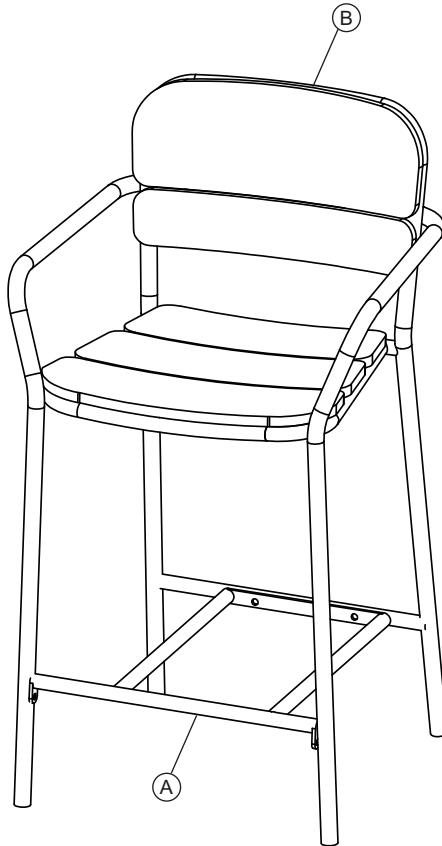
1 x4
(M6x20)



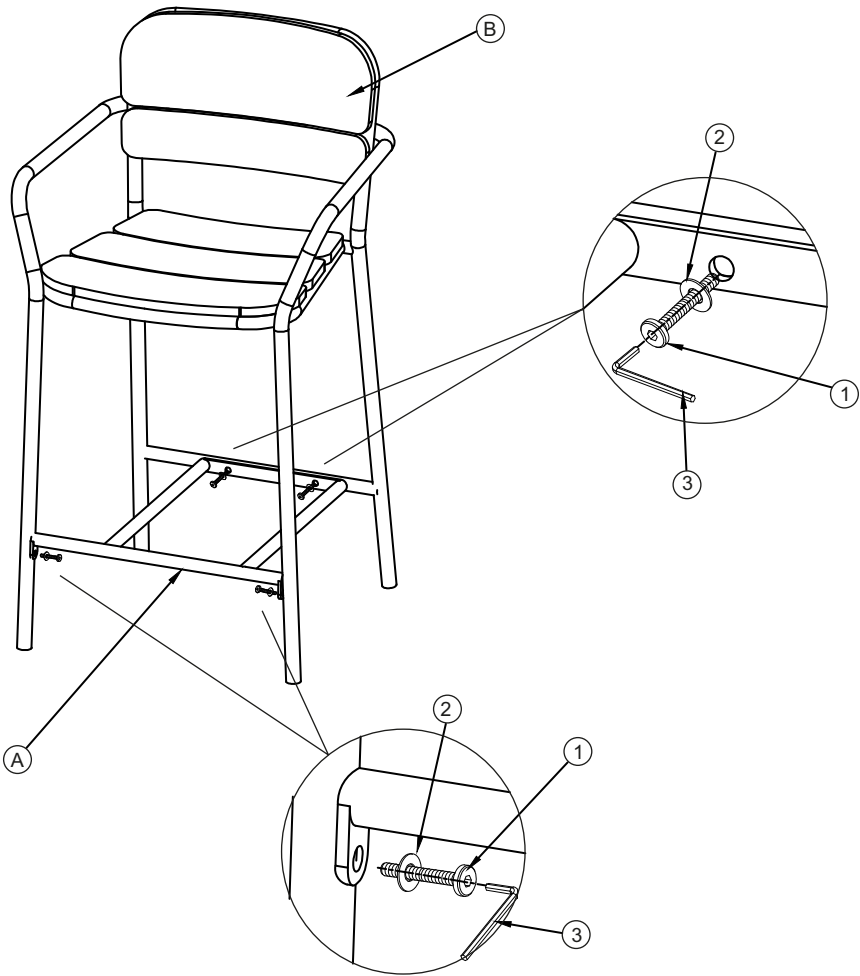
2 x4
M6

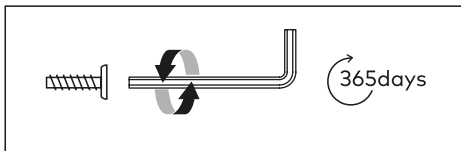
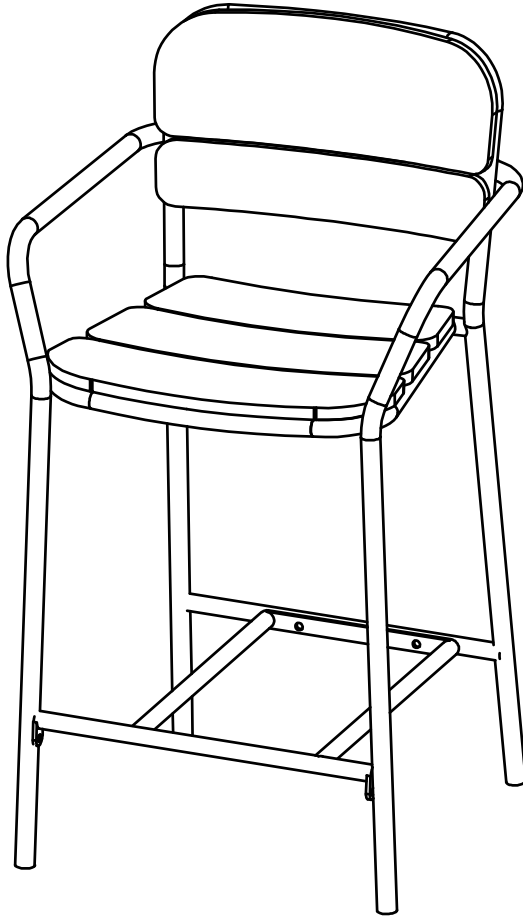


3 x1



1







THAT'S ALL FOLKS

Share your style!

#KaveHome

