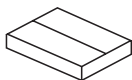




Kave® Cares



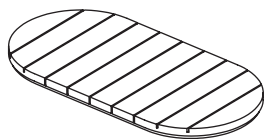
15 min



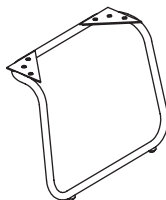
x1



x1



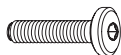
A x1



B x2



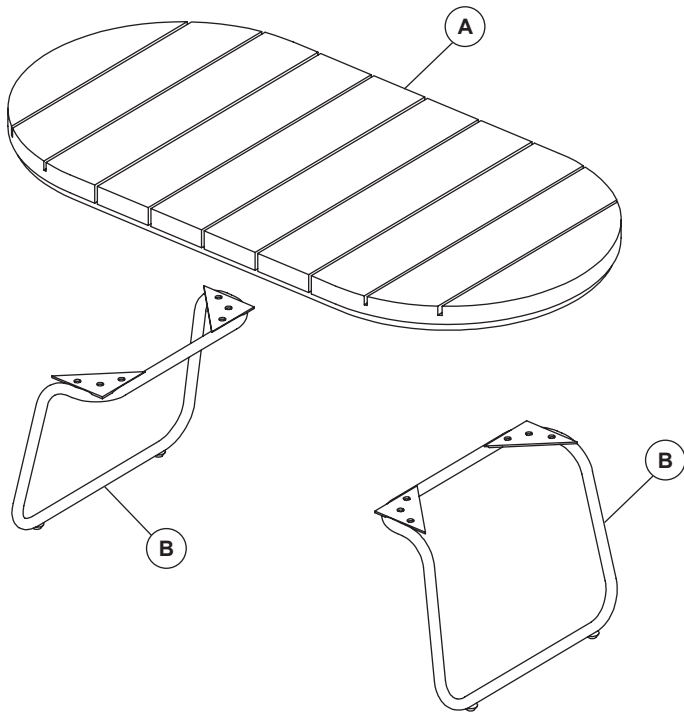
C x12
M8



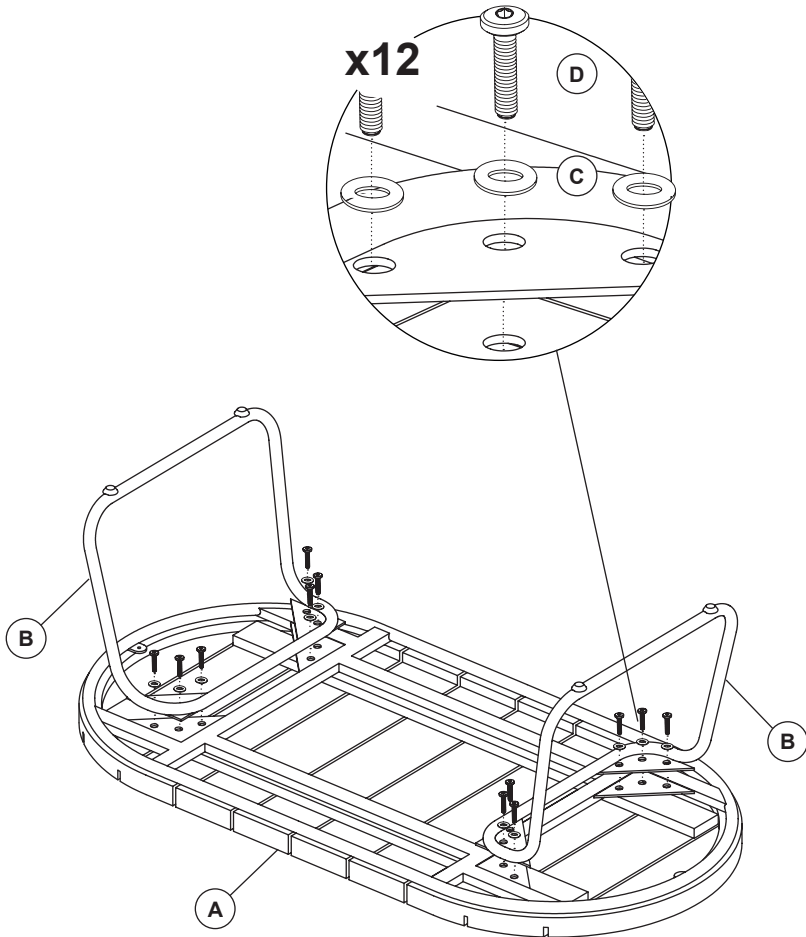
D x12
M8x20mm



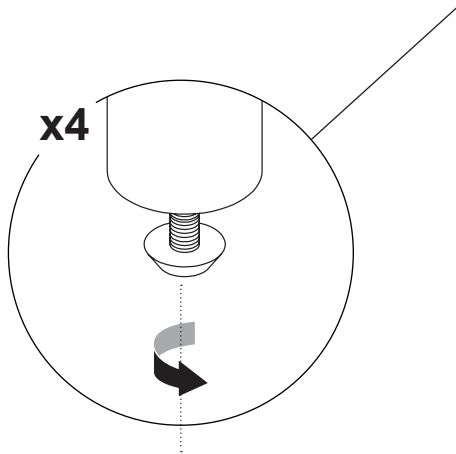
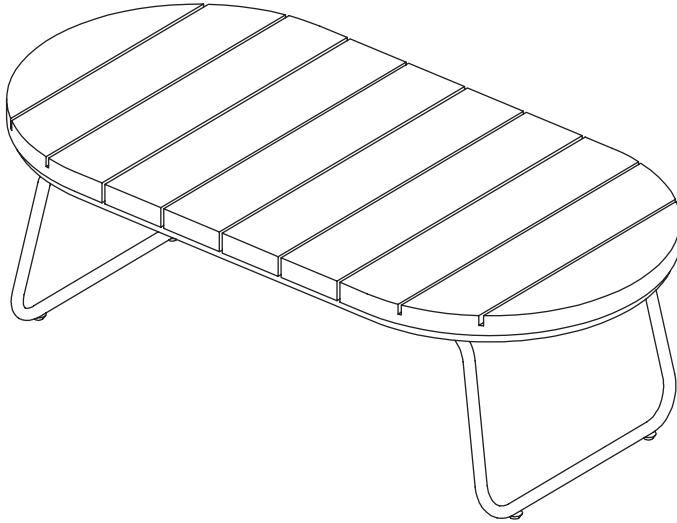
E x1

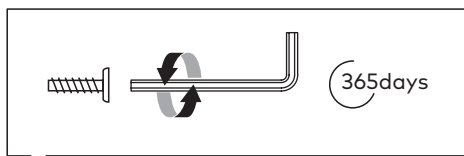
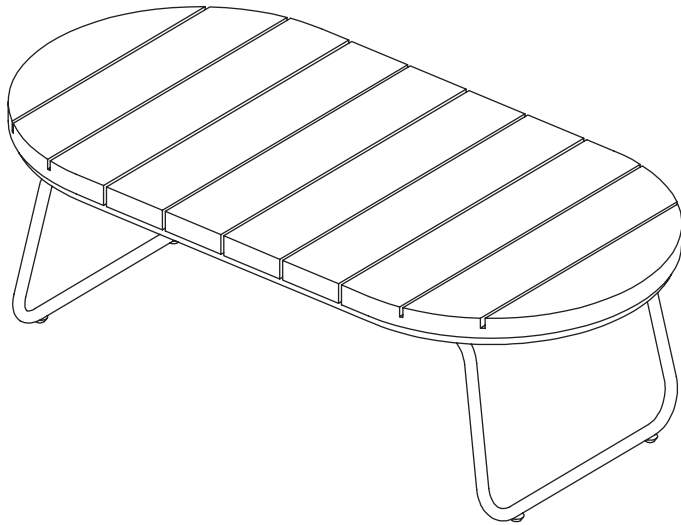


1



2







THAT'S ALL FOLKS

Share your style!

#KaveHome

