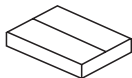




Kave® Cares



30 min



x1



x1



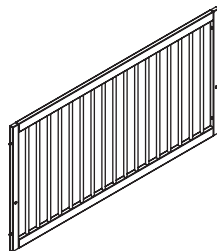
x1



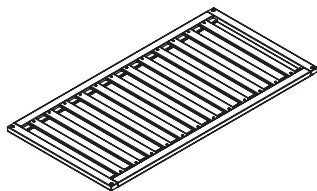
A x2



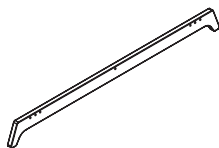
B x2



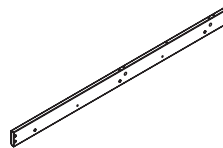
C x2



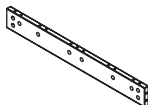
D x1



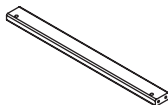
E x2



F x2



G x2



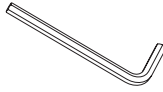
H x2



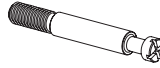
I x8
M6x55mm



J x4



K x1



L x16



M x16



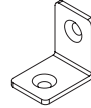
N x17
ø8x30mm



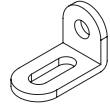
O x10
M6x40mm



P x16
M4x20mm



Q x2
26x19mm



R x4
33x18mm



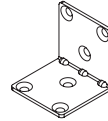
S x4
M6x5mm



T x4
ø6,5x10mm



U x4
M6x15mm



V x2
40x40mm



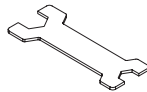
W x4
20x20mm



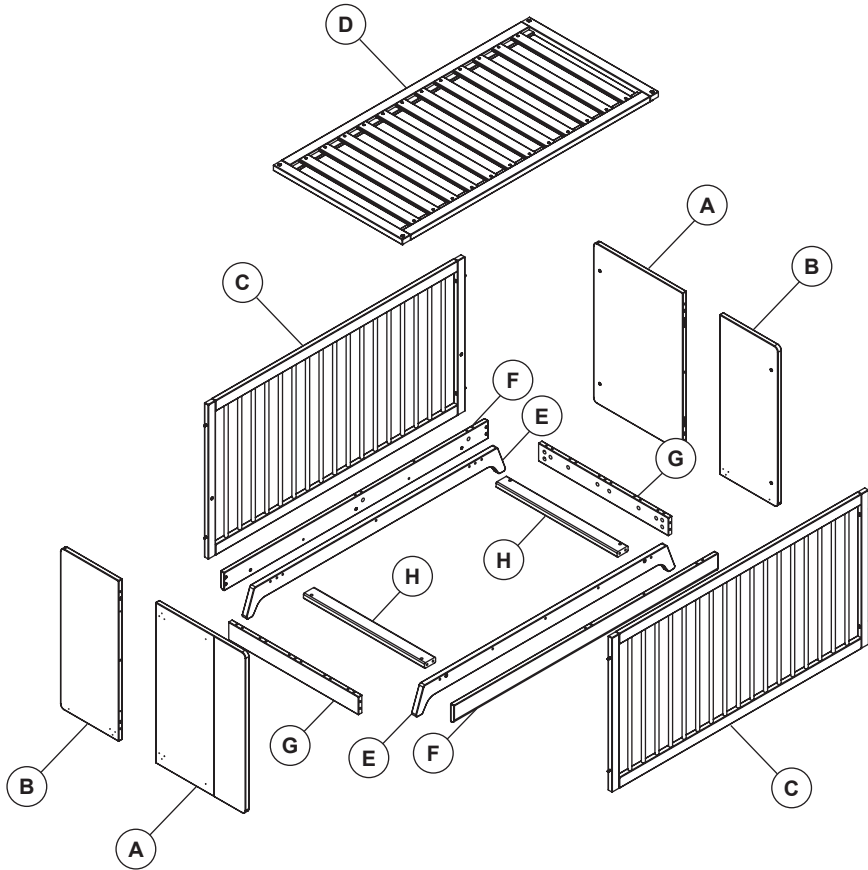
X x4



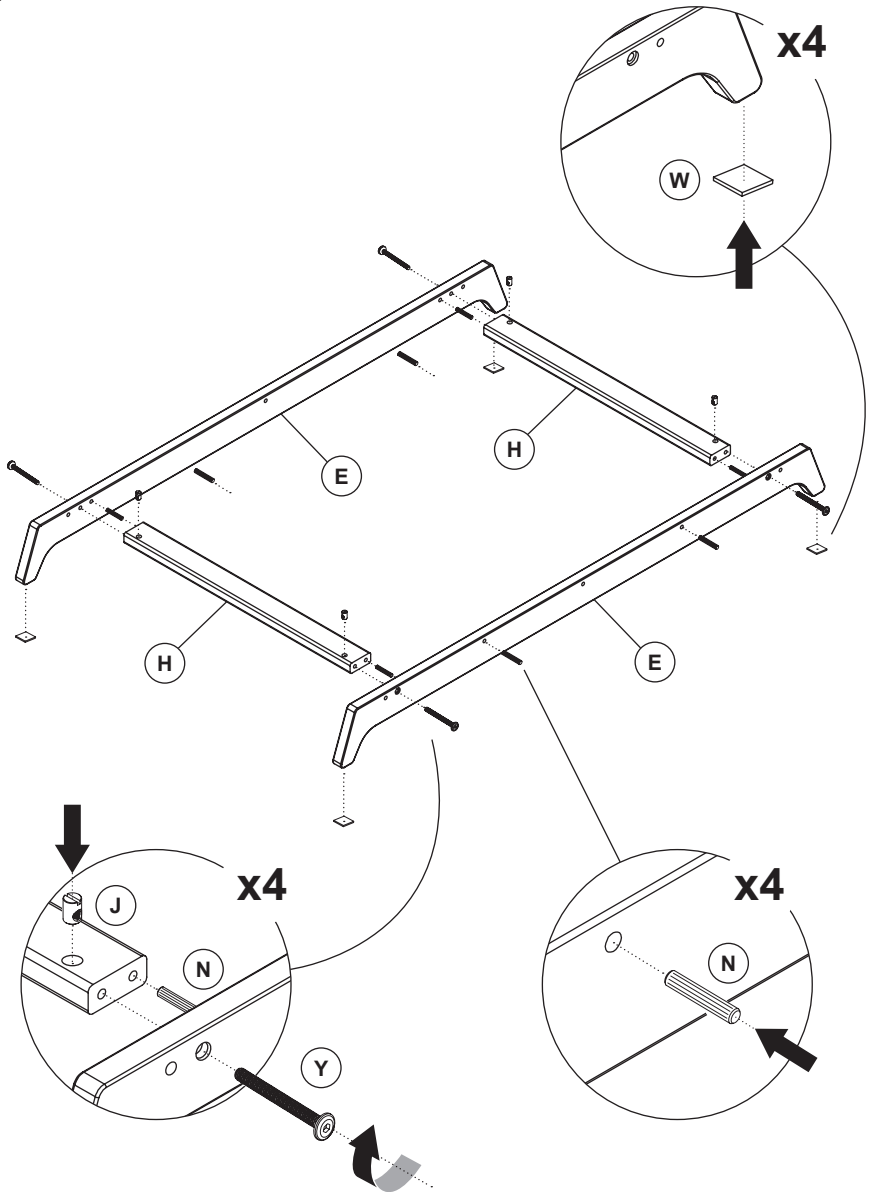
Y x4
M6x60mm

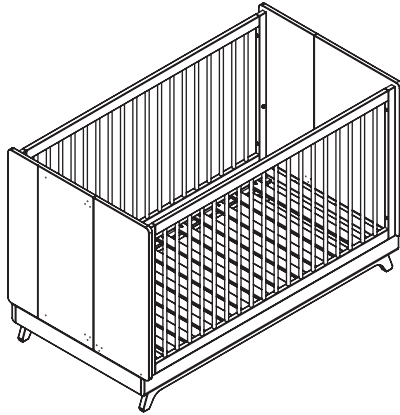


Z x1

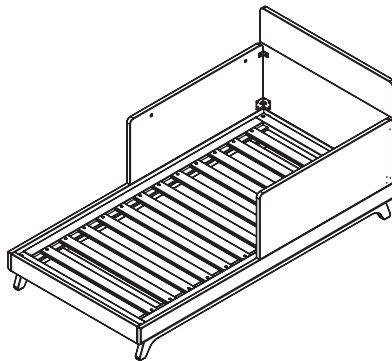


1





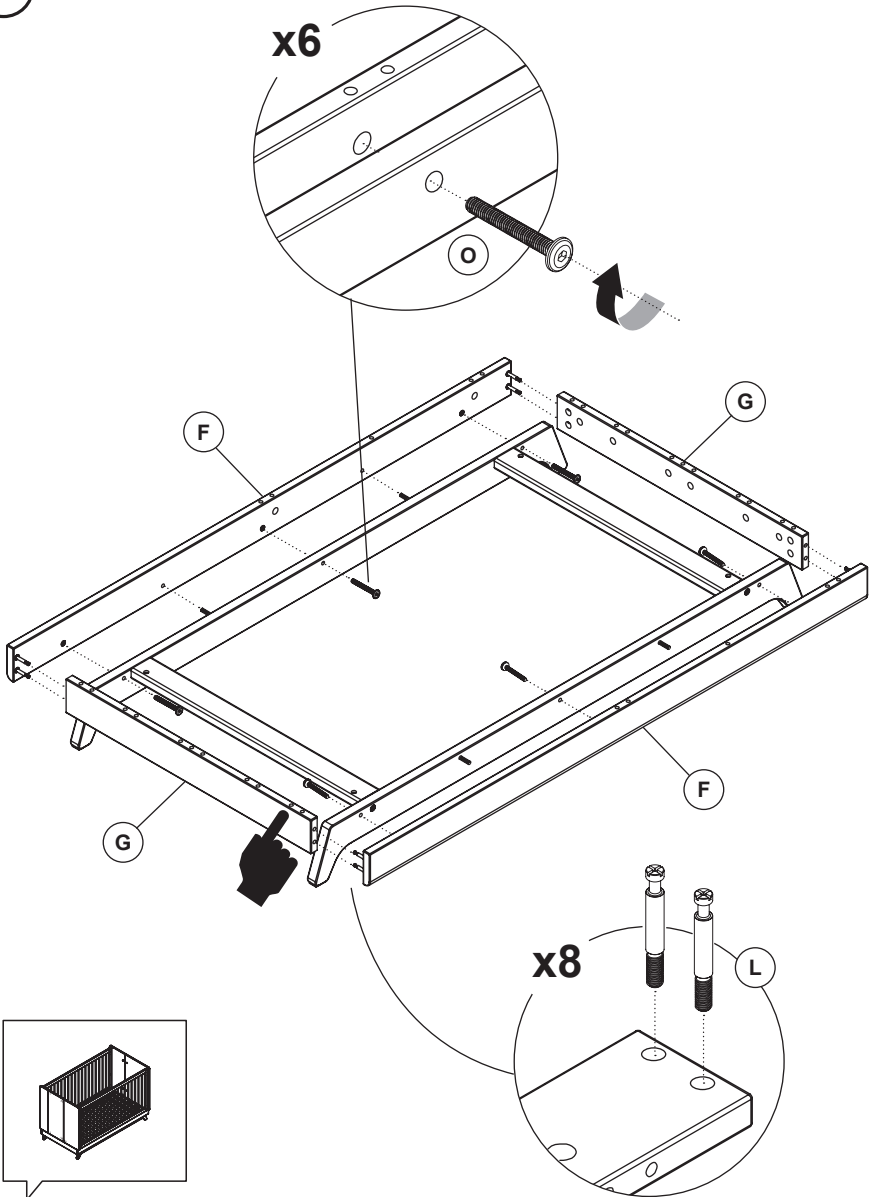
P. 8



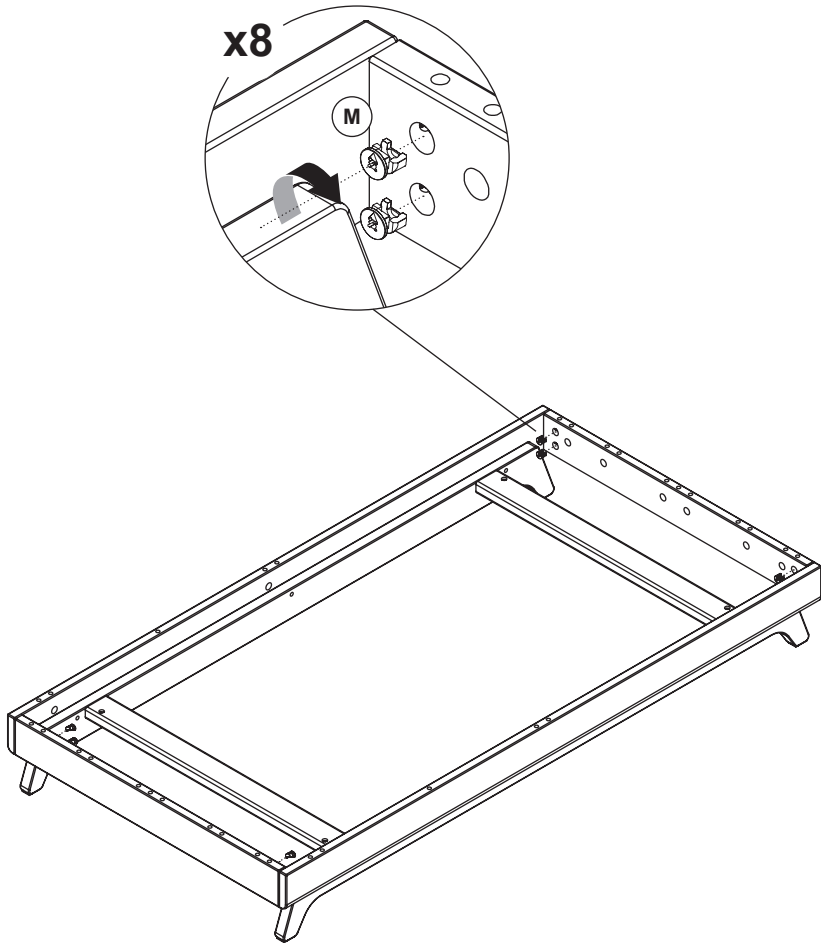
P. 14

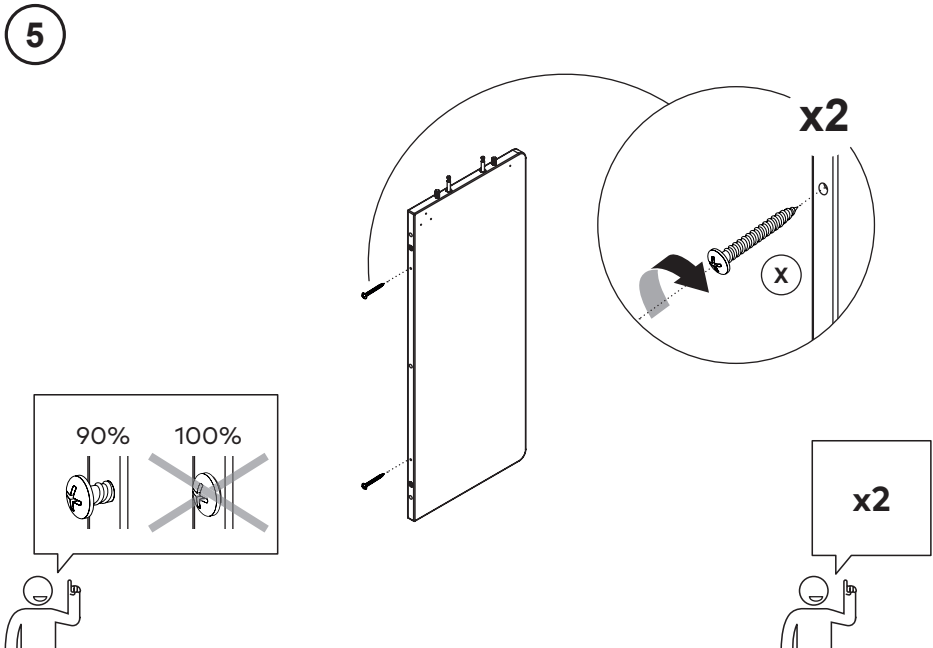
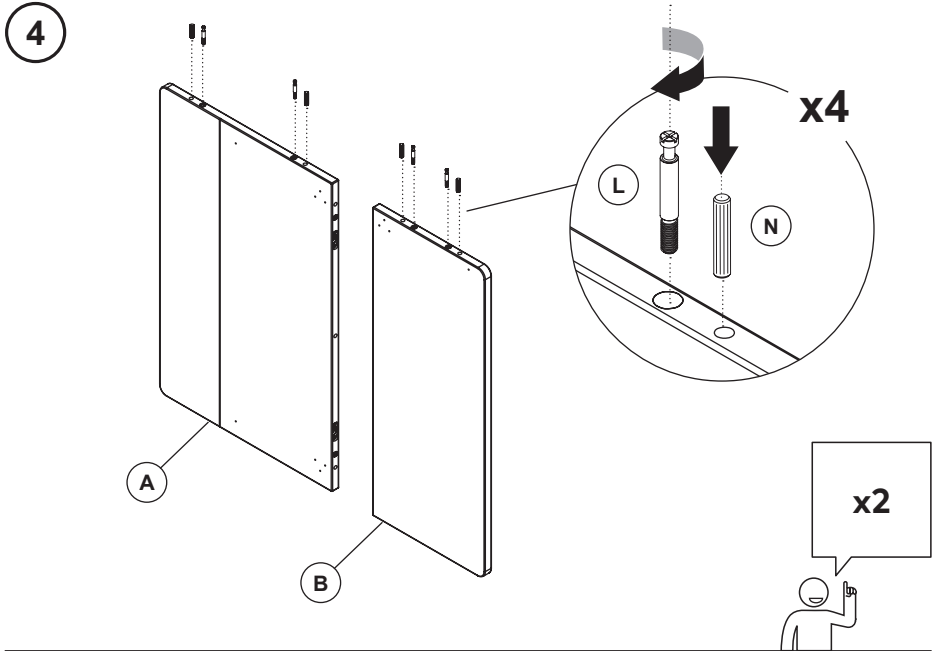


2

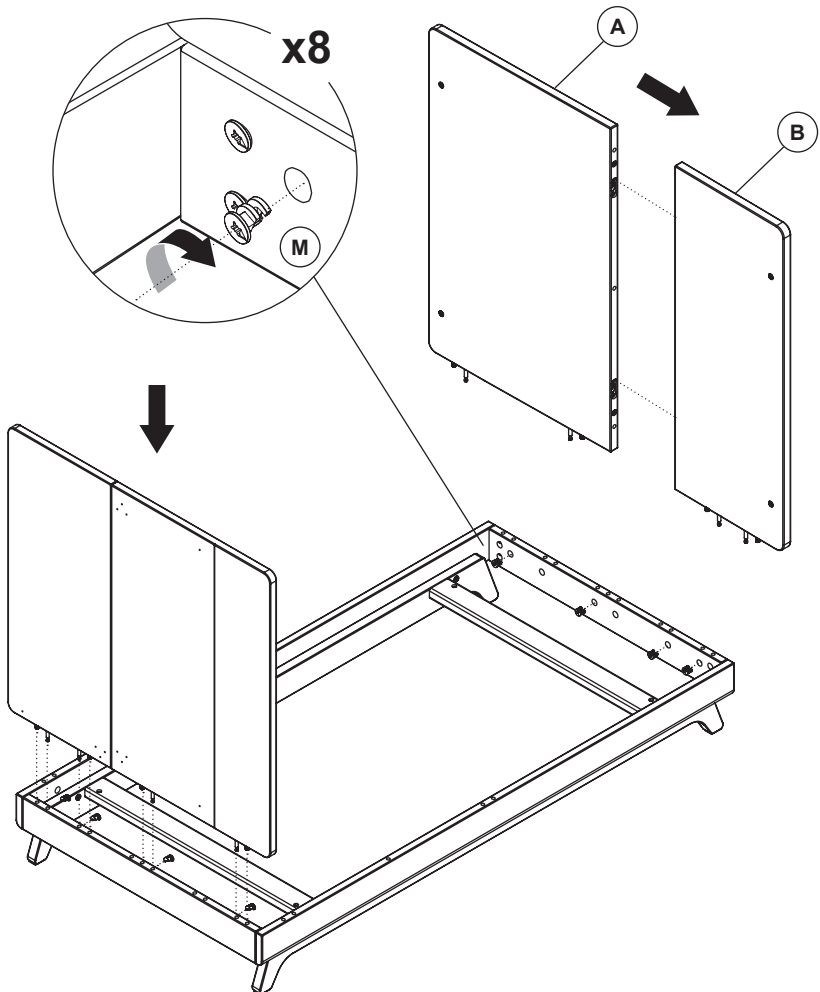


3

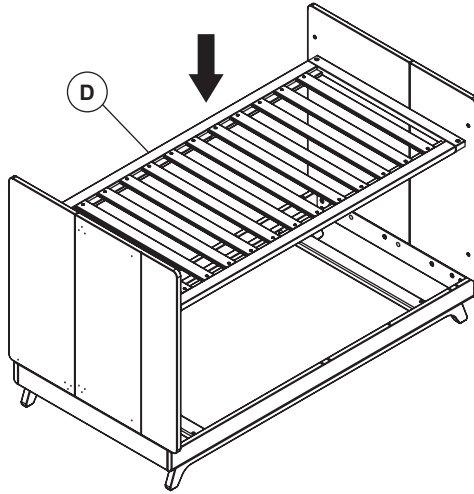




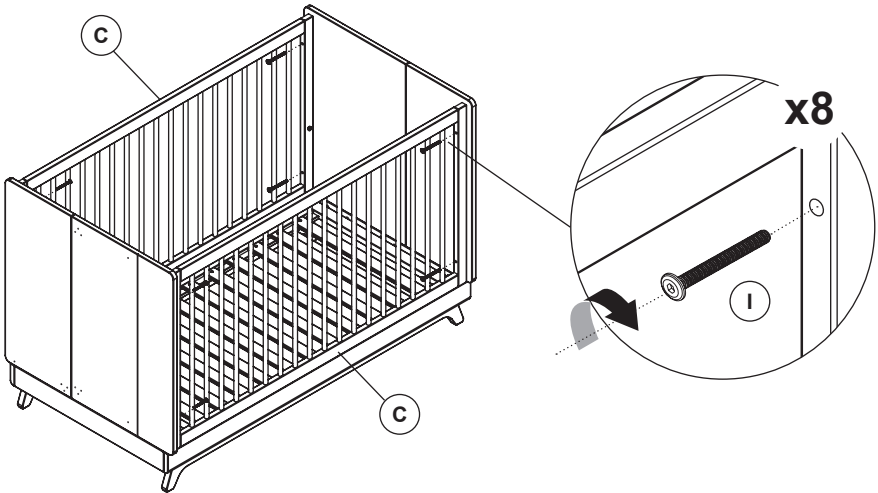
6

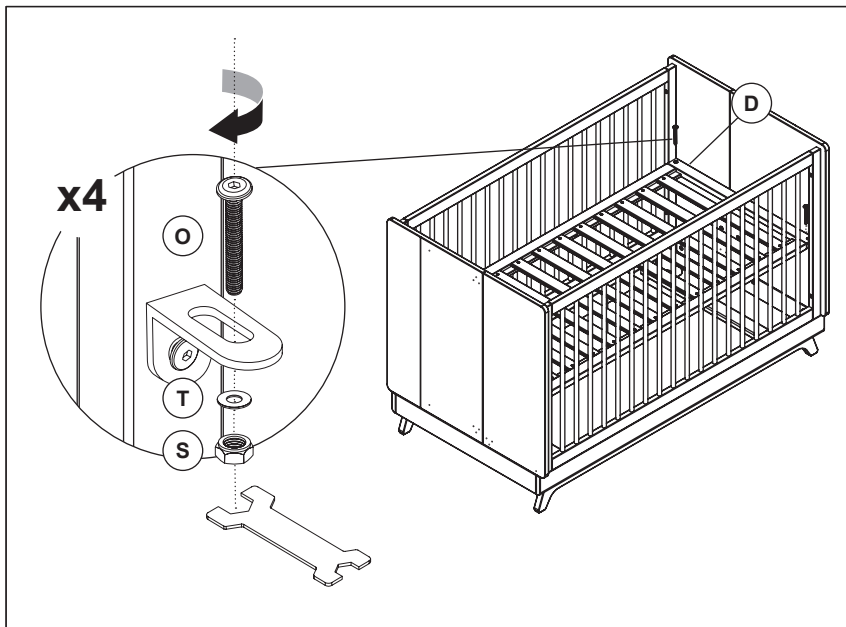
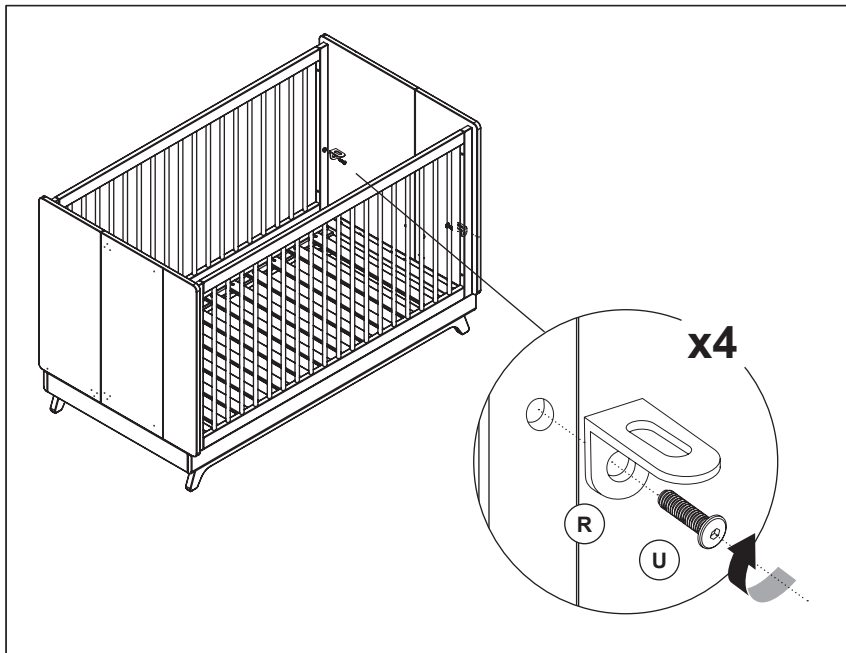


7

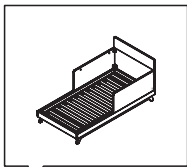
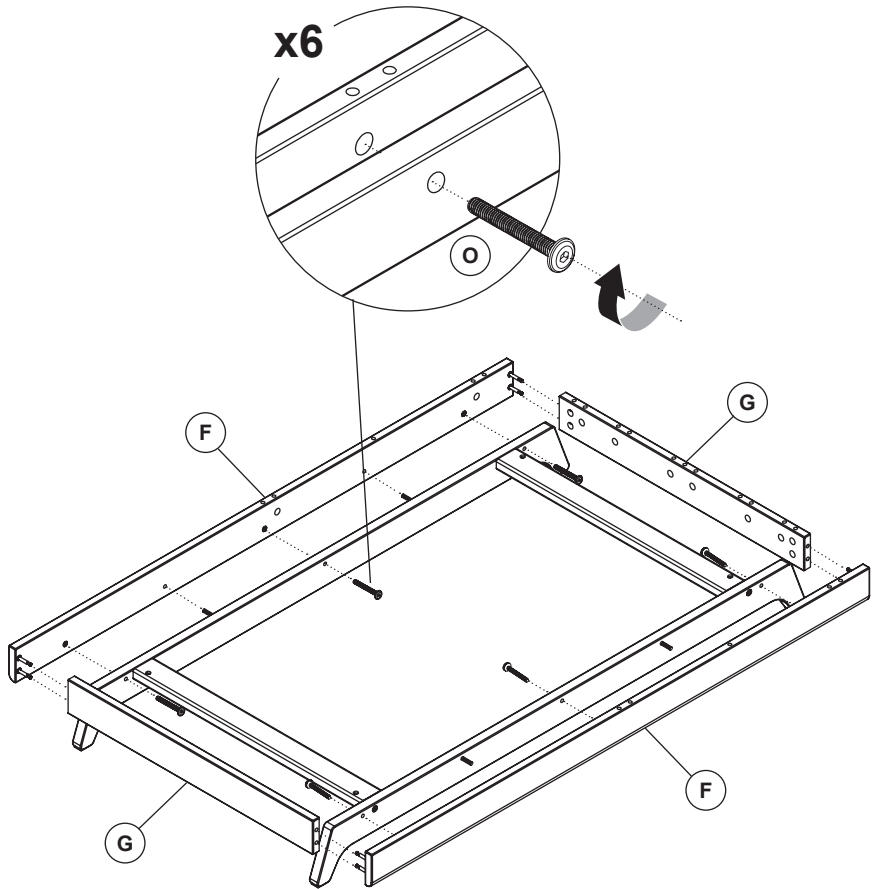


8

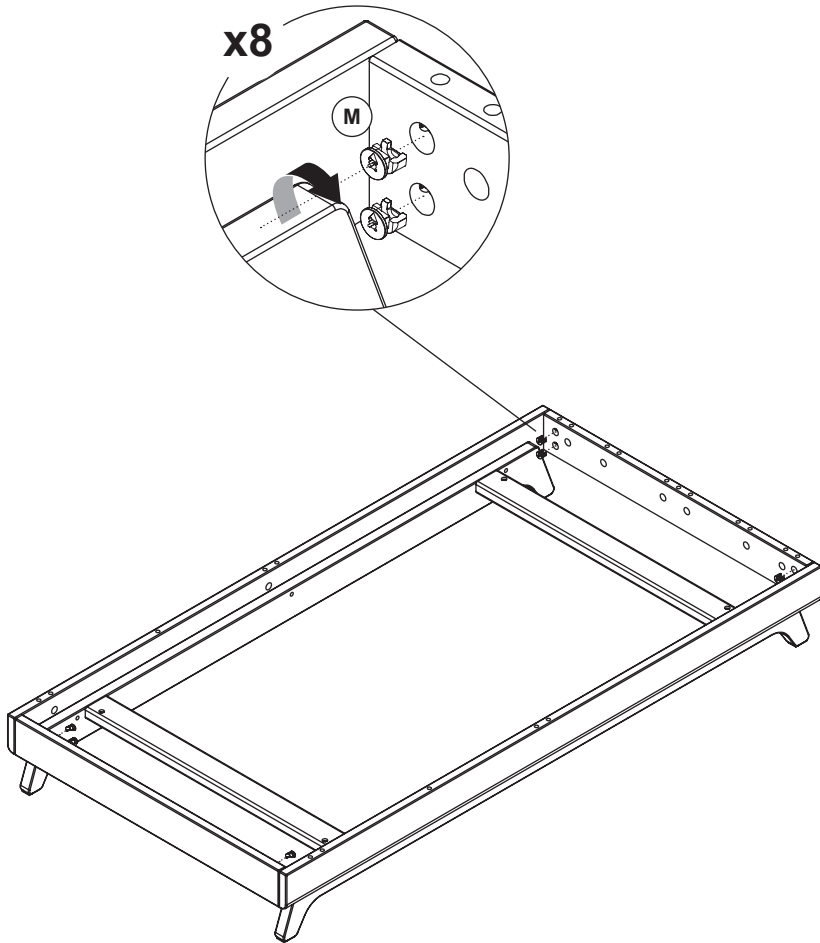




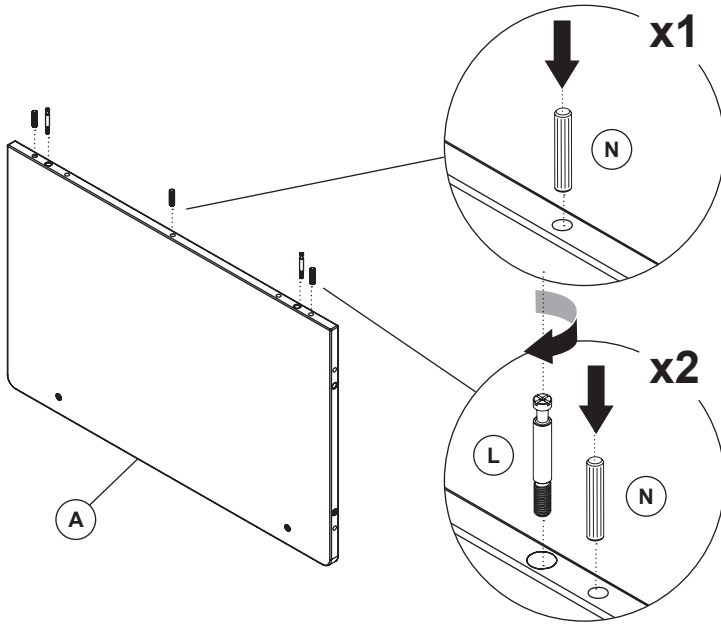
2



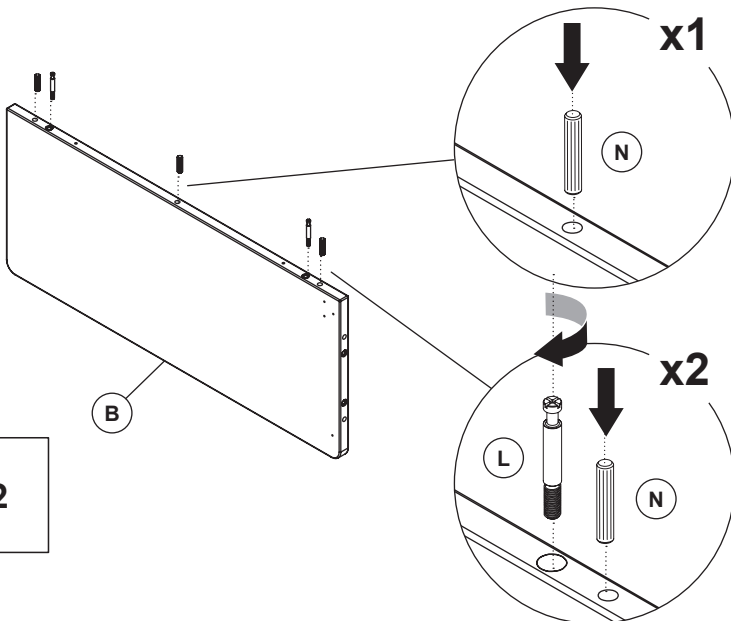
3



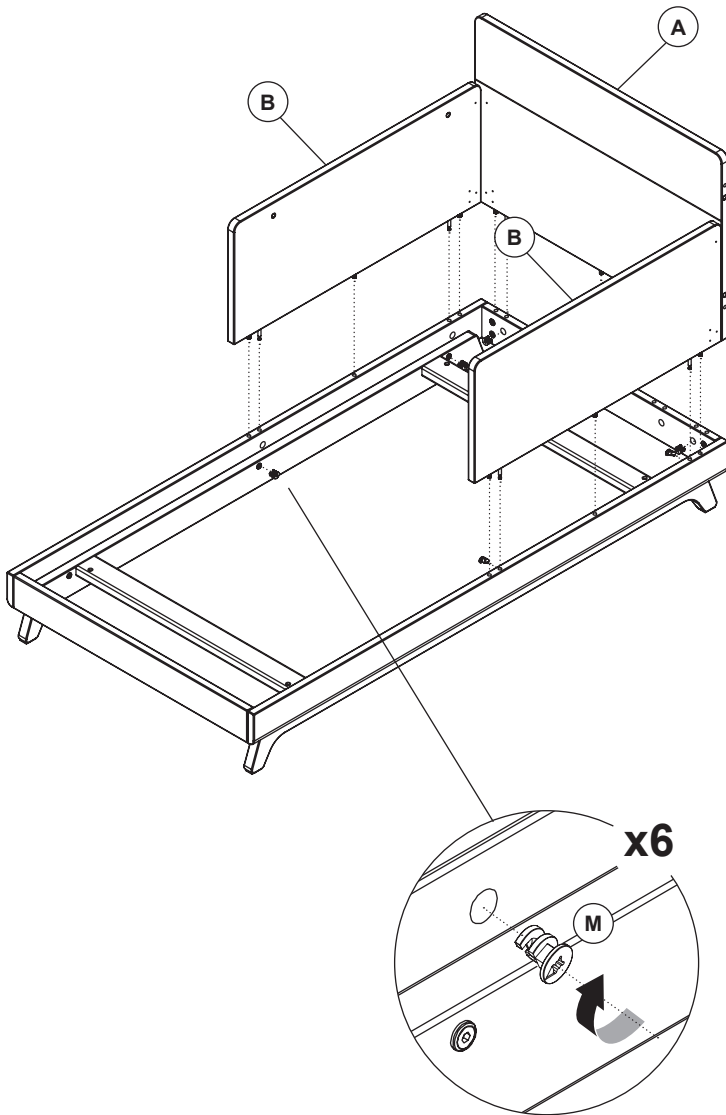
4



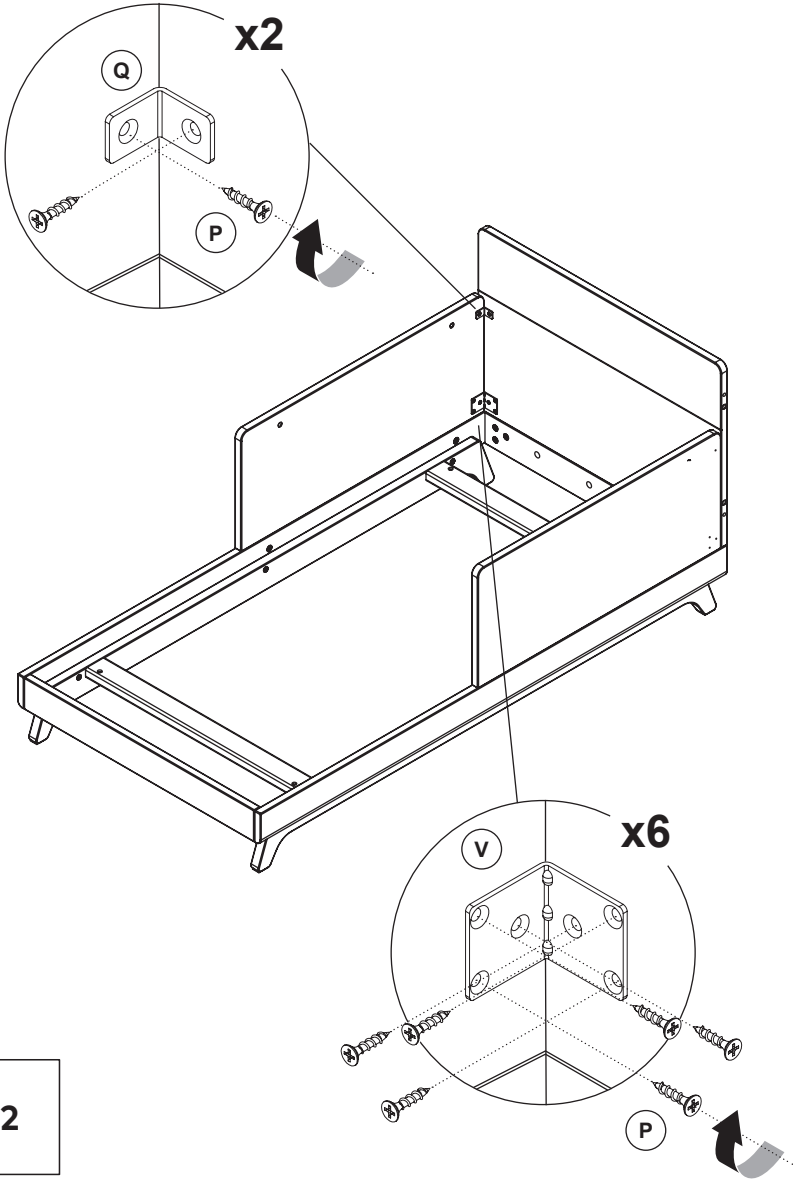
5



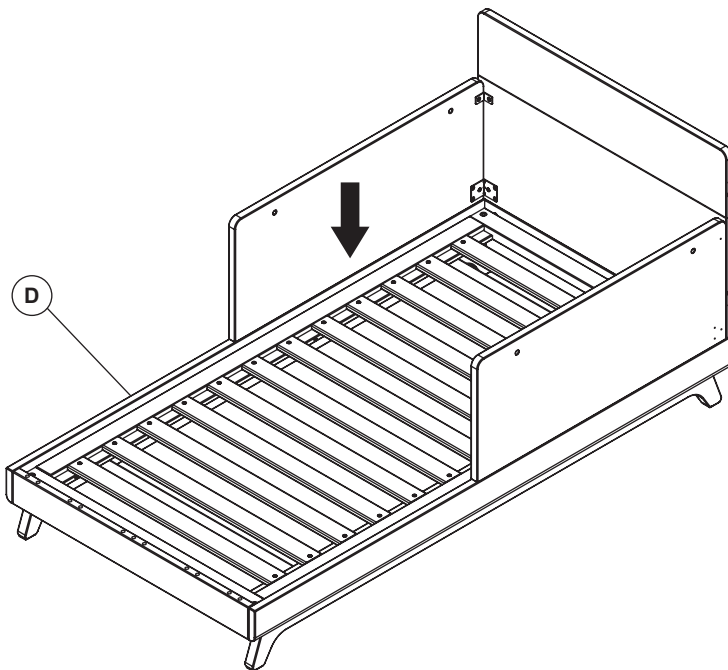
6



7



8





THAT'S ALL FOLKS

Share your style!

#KaveHome

